



SAFETY SUPPLEMENT

ATTENTION INSTALLERS/OPERATORS FOR YOUR PROTECTION:

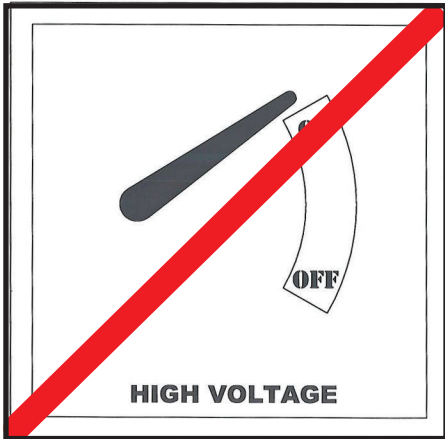
1. Read and understand the Operating Manual accompanying this equipment before performing any work.
2. Additional safety label kits available from Meyer upon request at no charge. This is part of our effort to ensure this equipment is installed, operated and maintained in the safest possible manner. Affix these labels in locations to achieve maximum visibility and thereby alert any personnel that may be on-site that a potential for injury could occur.
3. Under no circumstances should this equipment be installed or operated in a manner that permits access to the interior of the equipment.
4. Inlet and Outlet Connections must always be permanently fastened to mating system components.
5. In the event that the inlet or outlet is ever exposed, proper guarding to prevent access to the equipment interior must be installed immediately and prior to start-up.
6. **Always follow LOCKOUT-TAGOUT procedure** before performing any work.
7. Always keep loose clothing, hands, feet or any parts of your body, tools and/or any foreign objects away from all moving equipment and away from any potential hazards.
8. Never remove any access doors (inspection port covers) above, below, or on the equipment itself without first locking out power.
9. Consult your plant safety director, system designer, installation manager or the Meyer factory if you have any questions regarding the proper installation, operation and maintenance of this equipment.

Wm. W. Meyer & Sons, Inc.

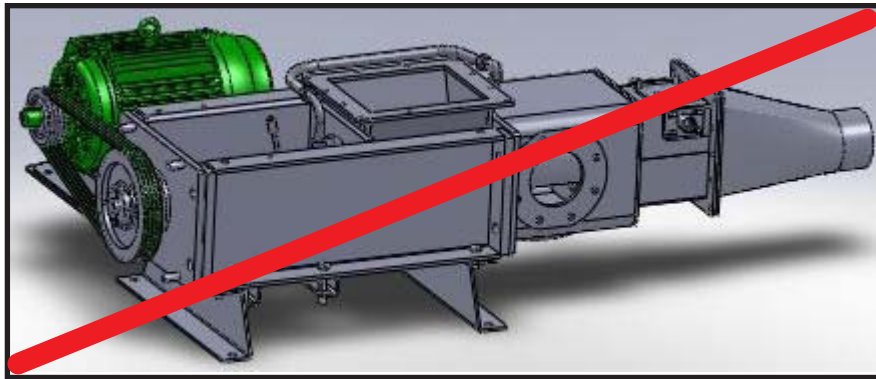
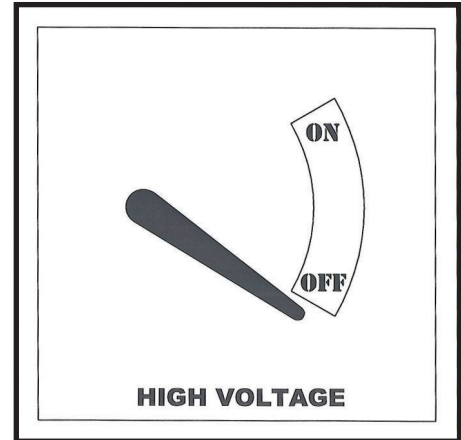
1700 Franklin Blvd • Libertyville, IL 60048 • Phone: 847-918-0111 • Fax: 847-918-8183

Website: <http://www.rotaryvalve.com>

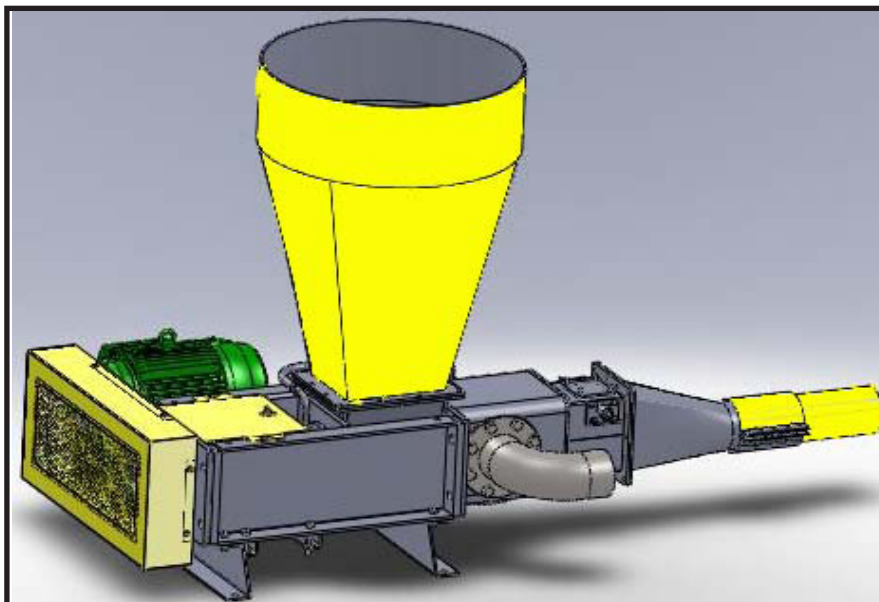
PNEUMATIC SCREW PUMP SAFETY PRECAUTIONS



ALWAYS SECURE PART FROM MOVING WHEN WORKING ON THE VALVE. FOLLOW **LOCKOUT-TAGOUT** PROCEDURE.





NEVER OPERATE VALVE WITH EXPOSED INLET / OUTLET CONNECTIONS



SAFETY LABELS

Locate all of the safety labels on your equipment and know their meaning before operating your Pneumatic Screw Pump.

| | |
|---|--|
|  | WARNING |
| | Automated machinery. This unit may start at any time. STAY CLEAR. Lockout/tagout power before servicing. <small>430Z-230</small> |



| | |
|--|--|
|  | WARNING |
| | Automated machinery. This unit may start at any time. STAY CLEAR. Lockout/tagout power before servicing. <small>430Z-230</small> |

| | |
|--|---|
|  | WARNING |
| | Equipment may be under pressure. Lockout/tagout power and relieve pressure before servicing. <small>430Z-231</small> |

| | |
|---|---|
|  | WARNING |
| | Equipment may be under pressure. Lockout/tagout power and relieve pressure before servicing. <small>430Z-231</small> |

| | |
|---|---|
|  | WARNING |
| | Equipment may be under pressure. Lockout/tagout power and relieve pressure before servicing. <small>430Z-231</small> |

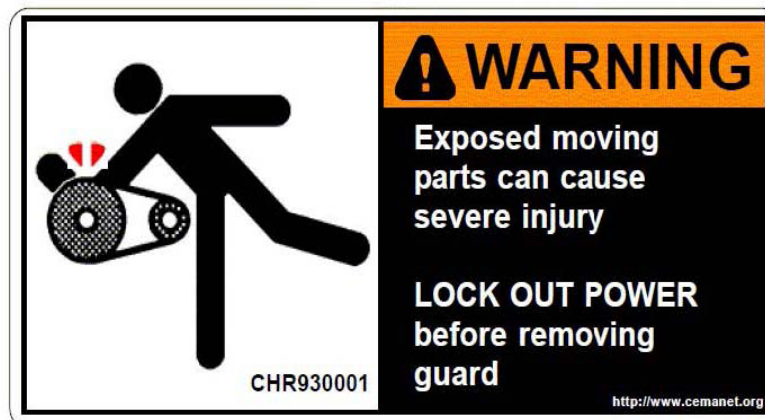
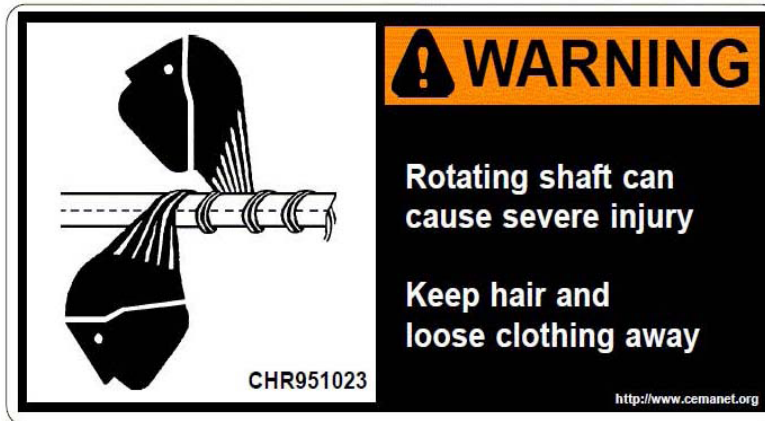
| | |
|---|---|
|  | WARNING |
| | Hot surface. Do NOT touch. <small>420Z-233</small> |

| | | |
|---|---|---|
|  | WARNING |  |
| | To reduce the risk of serious injury or death: Equipment must be operated, serviced and maintained by trained personnel. Read and understand all instructions before operating, maintaining or servicing this machine. Scan code for instruction manual <small>430Z-244</small> | |

| | |
|---|---|
|  | WARNING |
| | Hot surface. Do NOT touch. <small>420Z-233</small> |

SAFETY LABELS

Locate all of the safety labels on your equipment and know their meaning before operating your Pneumatic Screw Pump.



Wm. W. Meyer & Sons, Inc.
1700 Franklin Blvd • Libertyville, IL 60048 • Phone: 847-918-0111 • Fax: 847-918-8183
Website: <http://www.rotaryvalve.com>

File # 296-J-001