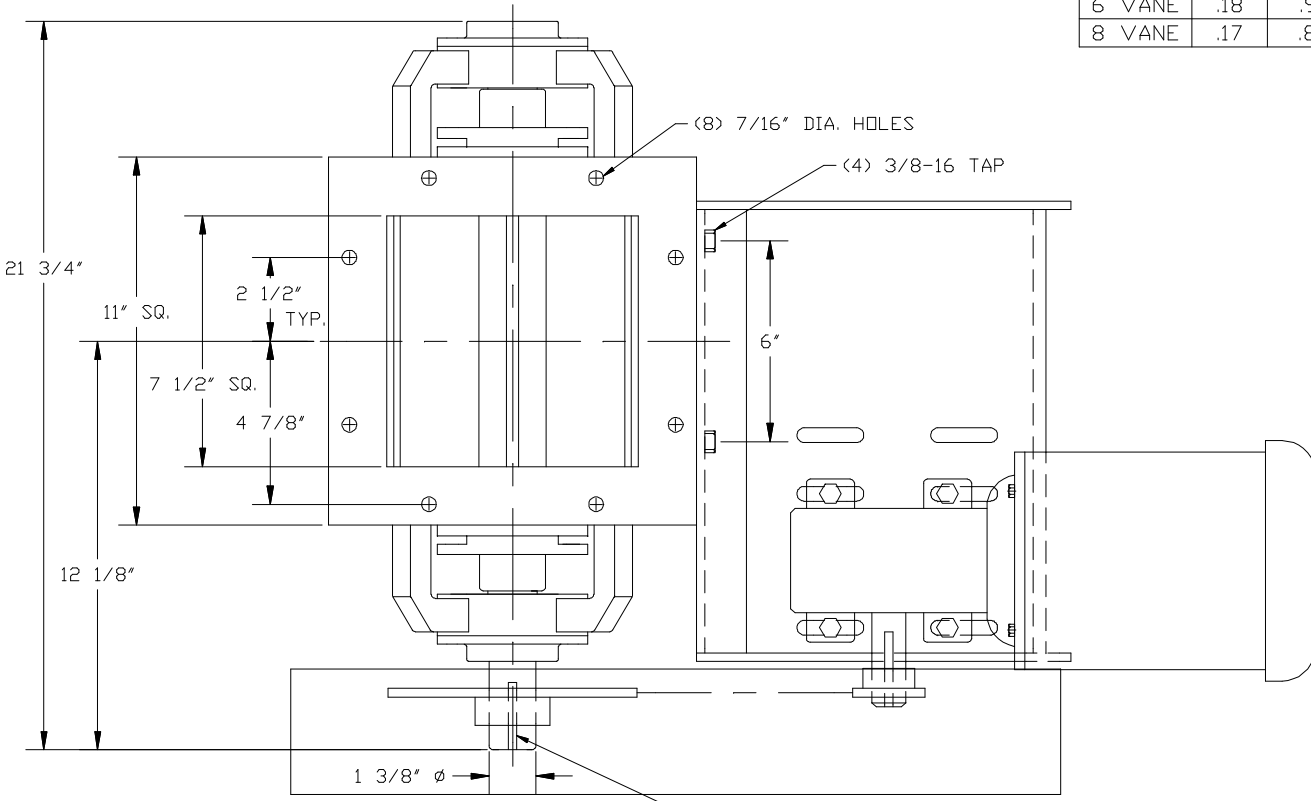


ROTOR	CFR	CAPACITIES IN CUBIC FEET PER MINUTE						
		5 RPM	10 RPM	15 RPM	20 RPM	25 RPM	30 RPM	35 RPM
6 VANE	.18	.90	1.80	2.70	3.60	4.50	5.40	6.30
8 VANE	.17	.85	1.70	2.55	3.40	4.25	5.10	5.95



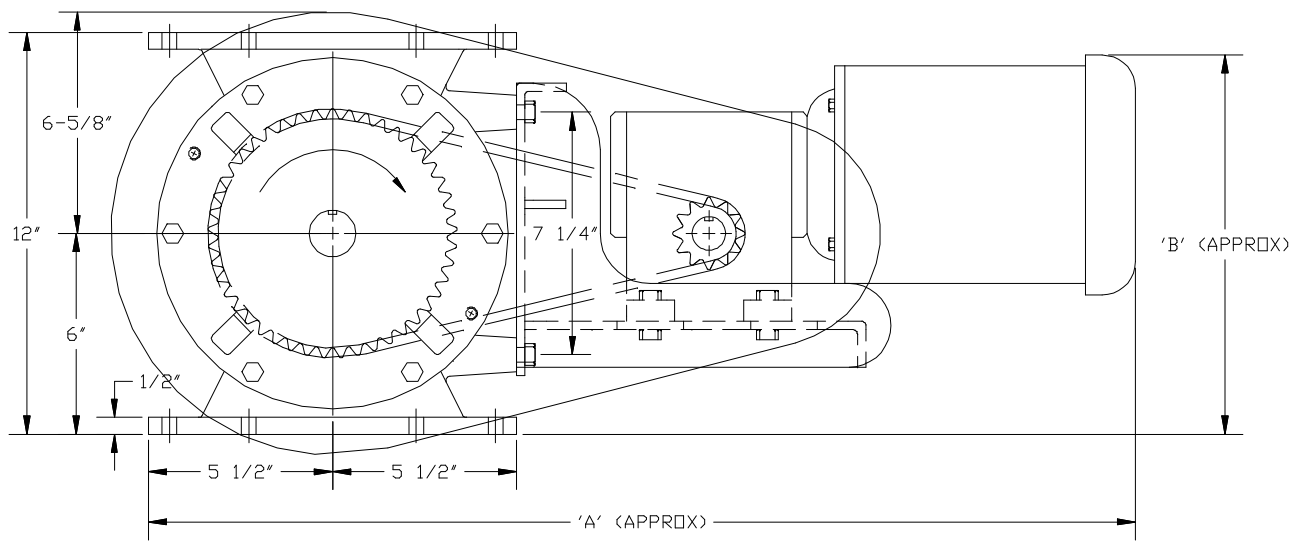
DATA FOR NORMAL SERVICE APPLICATIONS

MOTOR HP	FEEDER RPM	A	B
1/3 TENV	7 THRU 9	28 1/4	10 3/4
1/2 TEFC	10 THRU 14	30 1/4	11 7/8
3/4 TEFC	15 THRU 22	30 1/4	11 7/8
1 TEFC	23 THRU 35	30 1/4	11 7/8
1 1/2 TEFC	36 THRU 47	31 5/8	13 1/8

DATA FOR SEVERE SERVICE APPLICATIONS

MOTOR HP	FEEDER RPM	A	B
1/2 TEFC	7 THRU 9	31 5/8	13 1/8
3/4 TEFC	10 THRU 14	31 5/8	13 1/8
1 TEFC	15 THRU 22	31 5/8	13 1/8
1 1/2 TEFC	23 THRU 35	31 5/8	13 1/8
2 TEFC	36 THRU 47	31 5/8	13 3/8

NOTES:
 1. ALL MOTORS: 3-60-230/460
 2. INFORMATION IS BASED UPON CATALOG DATA. THIS INFORMATION MUST BE USED IN CONJUNCTION WITH, AND NOT IN SUBSTITUTION FOR, THE APPLICABLE PRODUCT CATALOG WHICH CONTAINS IMPORTANT PRECAUTIONS AND OTHER PERTINENT INFORMATION.



REV	DATE	DESCRIPTION	BY
C	10-19-04	UPDATED MODEL NAME	SA
B	10-29-96	STD GUARD SHOWN, 6-5/8" DIM ADDED.	J.M.
A	9-29-92	REDRAWN ON CAD	TD

REVISIONS

WM. W. MEYER & SONS, INC.
 SKOKIE, ILLINOIS

8 X 8 HDX SQUARE FLANGE FEEDER ASSEMBLY WITH TYPICAL RECOMMENDED GEARMOTORS

DRAWN	NCZ	DATE	3-27-86	DRAWING NUMBER
APPROVED		SCALE	3/8	430C-668

M:\RAL08X08HDXSFDR.DWG