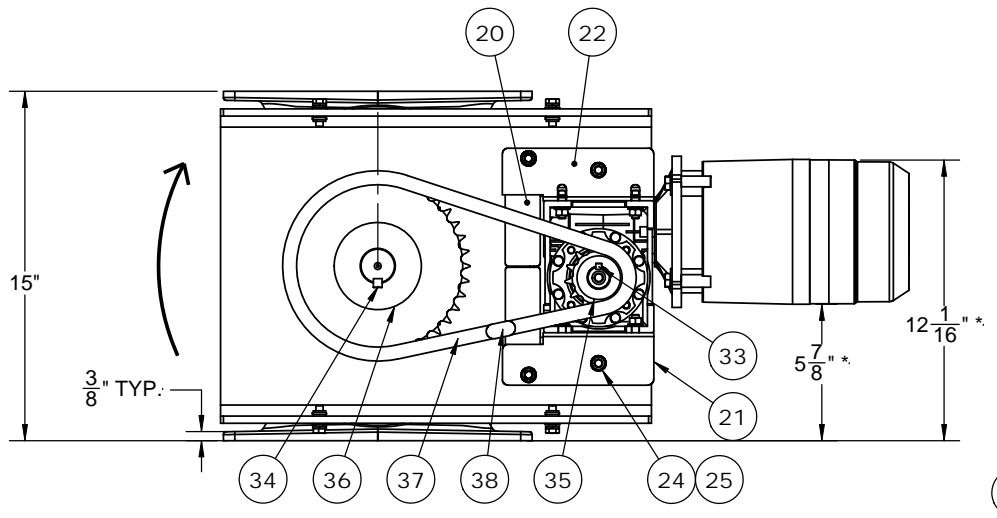
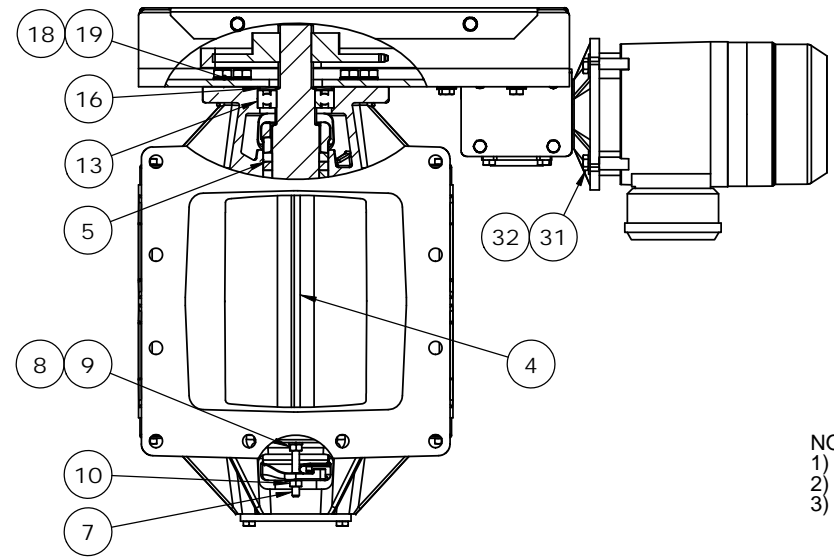
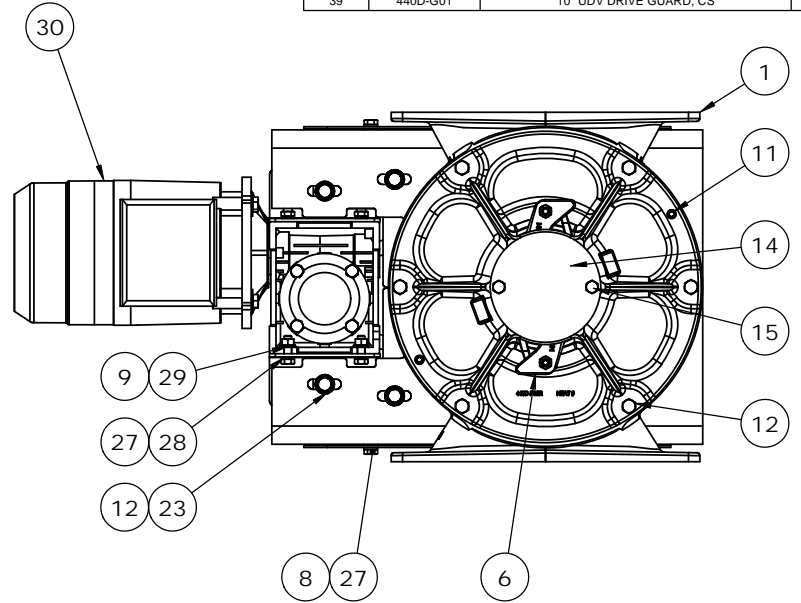
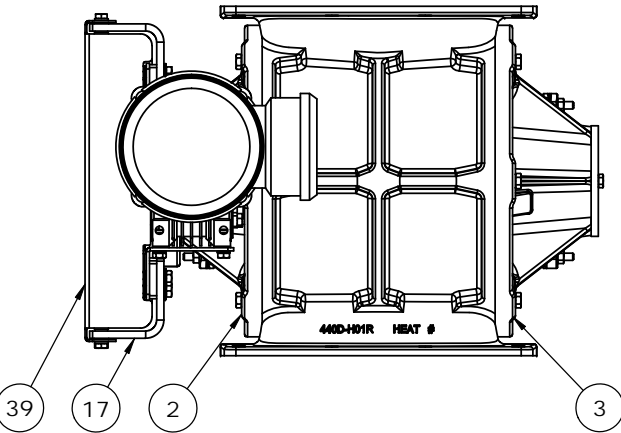


ITEM NO.	PartNo	Description	QTY.
1	440D-H01	10" UDV SQUARE HOUSING, CI	1
2	440D-P01	10" UDV DRIVE HEADPLATE, CI	1
3	440D-P02	10" UDV BLIND HEADPLATE, CI	1
4	440D-R001	10" UDV ROTOR 8V0EBV, CS	1
5	450BA194	3/8" PACKING RING, ARAMID FIBER	6
6	440D-N01	10" UDV PACKING NUT, CS	4
7	450JC076	5/16-18 X 3" STUD ZP	4
8	FS	5/16" LOCK WASHER	8
9	FS	5/16-18 HEX NUT	10
10	450JH669	5/16-18 CENTERLOCK HEX LOCKNUT, ZP	4
11	450JH670	3/8" X 1" ROLL PIN	4
12	FS	3/8-16 X 1.5" HEX HEAD BOLT	16
13	450AA170	SEALED BALL BEARING	2
14	440D-C01A	10" UDV BLIND END BEARING CAP, RECESSED, CS	1
15	FS	5/16-18 X 1/2" HEX HEAD BOLT	2
16	450JO031	WAVE SPRING 3.375 OD X .091 WIRE	1
17	440D-D01	10" UDV DRIVE BASE, 5/16" CS	1
18	FS	1/2-13 X 1 1/4" HEX HEAD BOLT	8
19	450JH554	1/2" X 3/4" NORD LOCK WASHER	8
20	440D-D04	GEARBOX SPACER, CS	2
21	440D-D03	10" UDV GEARBOX BOTTOM BRACKET, CS	1
22	440D-D02	10" UDV GEARBOX TOP BRACKET, CS	1
23	450JH689	3/8" X 13/16" NORD LOCK WASHER	4
24	450JH553	3/8" X 5/8" NORD LOCK WASHER	4
25	FS	3/8-16 HEX NUT	4
26	450GB677	GEARBOX, NMRV050 30:1 56C 1" SHAFT	1
27	FS	5/16-18 X 1" HEX HEAD BOLT	10
28	450JH702	5/16" X 1/2" NORD LOCK WASHER	6
29	450JH673	5/16" X 5/8" NORD LOCK WASHER	6
30	450H-1838	1 HP 1800 RPM TEFC MOTOR 56C 208-230/460-60-3	1
31	FS	3/8-16 X 1" HEX HEAD BOLT, ZP	4
32	FS	3/8" FLAT WASHER	4
33	FS	1/4" X 1/4" X 1 1/2" KEY, CS	1
34	FS	3/8" X 3/8" X 1 1/2" KEY, CS	1
35	450F-350	SPROCKET 50B13F, 1" BORE	1
36	450F-1048	SPROCKET 50B38F, 1 1/2" BORE	1
37	450FA002	A.S.A. 50 CHAIN (Feet)	3
38	450FA017	A.S.A. 50 CHAIN MASTER LINK	1
39	440D-G01	10" UDV DRIVE GUARD, CS	1



NOTE: DRIVE GUARD NOT SHOWN.



NOTE:
 1) DESIGN BASED ON 70 DEG. F. OPERATING TEMPERATURE.
 2) PAINT STANDARD BLACK ENAMEL.
 3) * MOTOR DIMENSIONS BASED ON STANDARD MOTOR.

REVISIONS				
REV.	DESCRIPTION	DATE	DB	AP
A	Production Release	11/12/2010	GS	

OUR S.O. #	-	NAME	DATE	 Wm. W. Meyer & Sons Inc. LIBERTYVILLE, IL.
REF S.O. #	-	DRAWN BY:	GS 7-26-10	
REF DWG.	-	CHECKED BY:		
		ENG APPR.:	TM 7-26-10	

DWG. NO.		440D-0101	REV	A
PART WEIGHT:		281.00 LBS	SCALE:	3:16
			SHEET:	1 OF 1

PROPRIETARY AND CONFIDENTIAL
 THE INFORMATION CONTAINED IN THIS
 DRAWING IS THE SOLE PROPERTY OF
 Wm. W. Meyer & Sons, Inc. ANY
 REPRODUCTION IN PART OR AS A WHOLE
 WITHOUT THE WRITTEN PERMISSION OF
 Wm. W. Meyer & Sons, Inc. IS PROHIBITED.