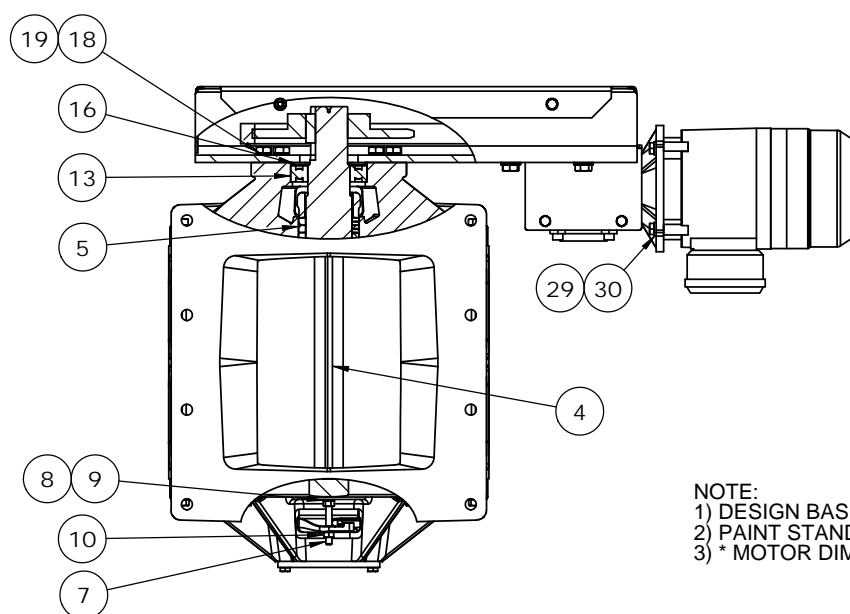
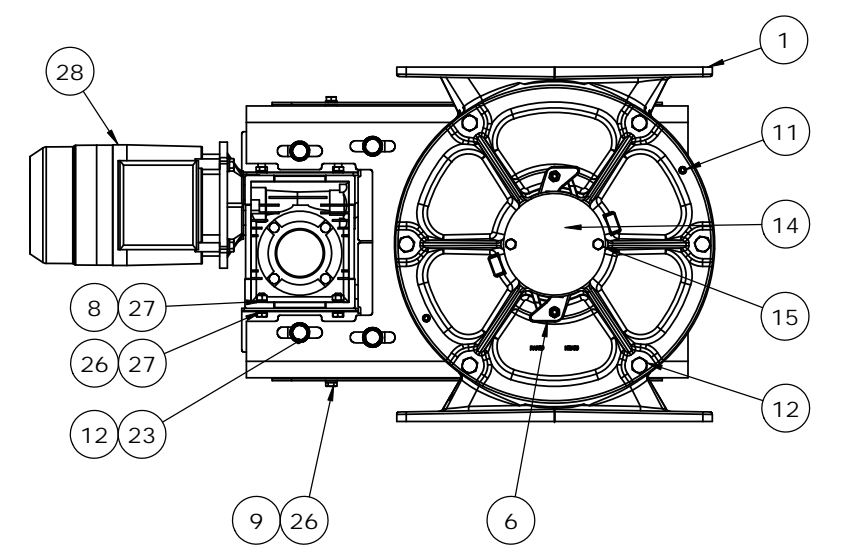
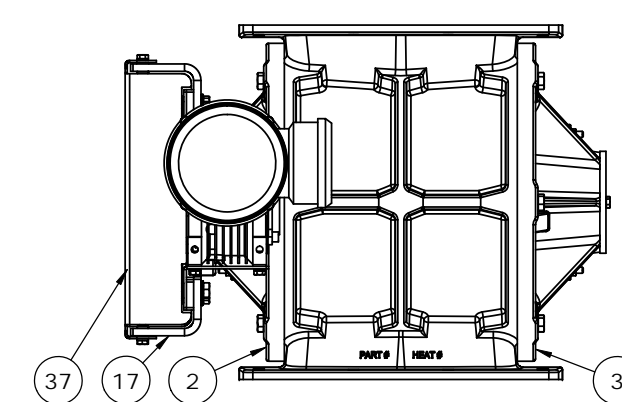
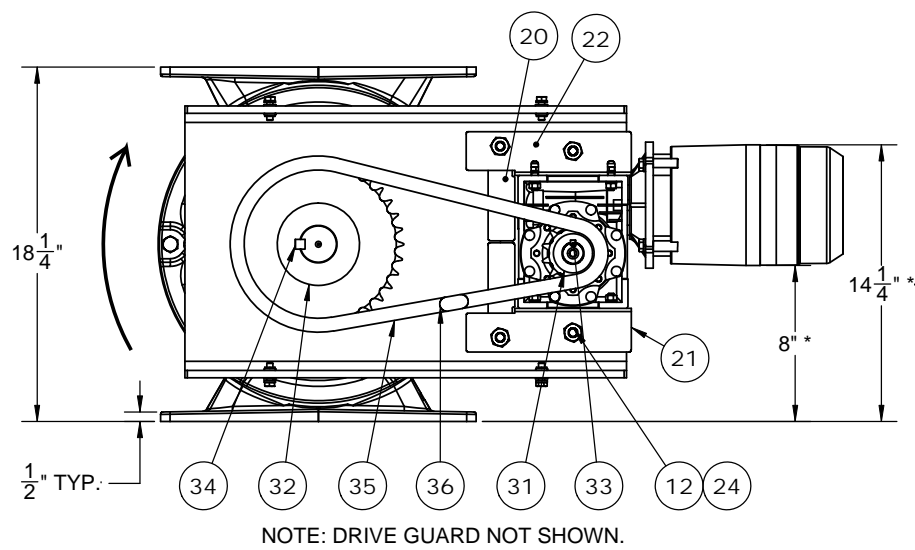


| ITEM NO. | PartNo | Description | QTY. |
|----------|-----------|---|---------|
| 1 | 440E-H01 | 12" UDV SQUARE HOUSING, CI | 1 |
| 2 | 440E-P01 | 12" UDV DRIVE HEADPLATE, CI | 1 |
| 3 | 440E-P02 | 12" UDV BLIND HEADPLATE, CI | 1 |
| 4 | 440E-R001 | 12" UDV ROTOR STL 8V0EBEV, CS | 1 |
| 5 | 450BA189 | PACKING RING, 3/8" SQ., 2 3/8" ID, ARAMID | 6 |
| 6 | 440E-N01 | 12" UDV PACKING NUT, CS | 4 |
| 7 | 450JC076 | 5/16-18 X 3" STUD ZP | 4 |
| 8 | FS | 5/16-18 HEX NUT | 10 |
| 9 | FS | 5/16" LOCK WASHER | 8 |
| 10 | 450JH669 | 5/16-18 CENTERLOCK HEX LOCKNUT, ZP | 4 |
| 11 | 450JH687 | .375 X 1.25 ROLL PIN, ZP | 4 |
| 12 | FS | 1/2-13 X 1 3/4" HEX HEAD CAP SCREW | 16 |
| 13 | 450AA171 | SEALED BALL BEARING | 2 |
| 14 | 440E-C01A | 12" UDV BLIND END BEARING CAP, CS | 1 |
| 15 | FS | 5/16-18 X 1/2" HEX HEAD BOLT | 2 |
| 16 | 450JO032 | WAVE SPRING 4.000 OD X .100 WIRE 17-7SS | 1 |
| 17 | 440E-D01 | 12" UDV DRIVE BASE, 3/8" CS | 1 |
| 18 | FS | 1/2-13 X 1 1/4" HEX HEAD BOLT | 8 |
| 19 | 450JH554 | 1/2" X 3/4" NORD LOCK WASHER | 12 |
| 20 | 440E-D04 | GEARBOX SPACER, CS | 2 |
| 21 | 440E-D03 | 12" UDV GEARBOX BOTTOM BRACKET, CS | 1 |
| 22 | 440E-D02 | 12" UDV GEARBOX TOP BRACKET, CS | 1 |
| 23 | 450JH686 | 1/2" X 1" NORD LOCK LOCKWASHER | 4 |
| 24 | FS | 1/2-13 HEAVY HEX NUT | 4 |
| 25 | 450GB664 | GEARBOX, NMRV063 30:1 56C 1 1/8" SHAFT | 1 |
| 26 | FS | 5/16-18 X 1" HEX HEAD BOLT | 10 |
| 27 | 450JH702 | 5/16" X 1/2" NORD LOCK WASHER | 12 |
| 28 | 450H-1839 | 1 1/2 HP 1800 RPM TEFC MOTOR 56C 208-230/460-60-3 | 1 |
| 29 | FS | 3/8-16 X 1" HEX HEAD BOLT | 4 |
| 30 | FS | 3/8" LOCK WASHER | 4 |
| 31 | 450F-1025 | SPROCKET 60B12F, 1.125" BORE | 1 |
| 32 | 450F-1034 | SPROCKET 60B35F, 1 15/16" BORE | 1 |
| 33 | FS | 1/4" X 1/4" X 1 1/2" KEY, CS | 1 |
| 34 | 450JP027 | 1/2" X 1/2" X 1 1/2" KEY, CS | 1 |
| 35 | 450FA004 | A.S.A. 60 CHAIN (Feet) | 3 13/16 |
| 36 | 450FA011 | A.S.A. 60 CHAIN MASTER LINK | 1 |
| 37 | 440E-G01 | 12" UDV DRIVE GUARD, CS | 1 |



NOTE:
 1) DESIGN BASED ON 70 DEG. F. OPERATING TEMPERATURE.
 2) PAINT STANDARD BLACK ENAMEL.
 3) * MOTOR DIMENSIONS BASED ON STANDARD MOTOR.

| REVISIONS | | | | |
|-----------|---------------------|------------|----|----|
| REV. | DESCRIPTION | DATE | DB | AP |
| A | PRODUCTION RELEASE. | 11/17/2010 | GS | |

| | | | |
|------------|---------------|---------|--|
| OUR S.O. # | NAME | DATE | Wm. W. Meyer & Sons Inc. LIBERTYVILLE, IL. |
| REF S.O. # | DRAWN BY: GS | 8-10-10 | |
| REF DWG. | CHECKED BY: | | |
| | ENG APPR.: TM | 8-10-10 | |

| | | |
|--|---------------|--|
| PROPRIETARY AND CONFIDENTIAL THE INFORMATION CONTAINED IN THIS DRAWING IS THE SOLE PROPERTY OF Wm. W. Meyer & Sons, Inc. ANY REPRODUCTION IN PART OR AS A WHOLE WITHOUT THE WRITTEN PERMISSION OF Wm. W. Meyer & Sons, Inc. IS PROHIBITED. | | TITLE: 12" SQUARE UDV ROTARY VALVE CAST IRON 8 VANE OPEN END MILD STEEL BEVELED ROTOR 1 1/2 HP, 15 RPM |
| DWG. NO. | | REV |
| PART WEIGHT: 431.06 LBS | | A |
| SCALE: 5:32 | SHEET: 1 OF 1 | |