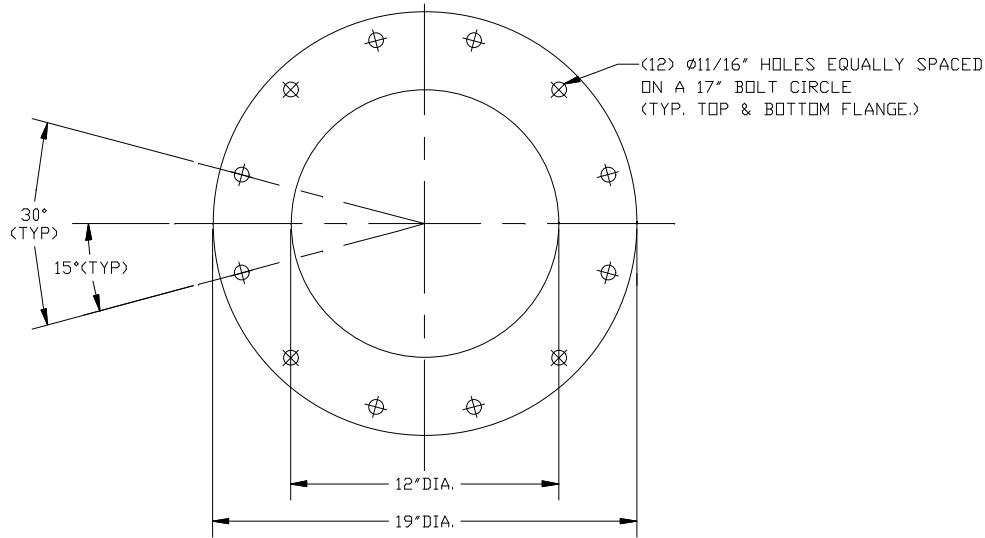
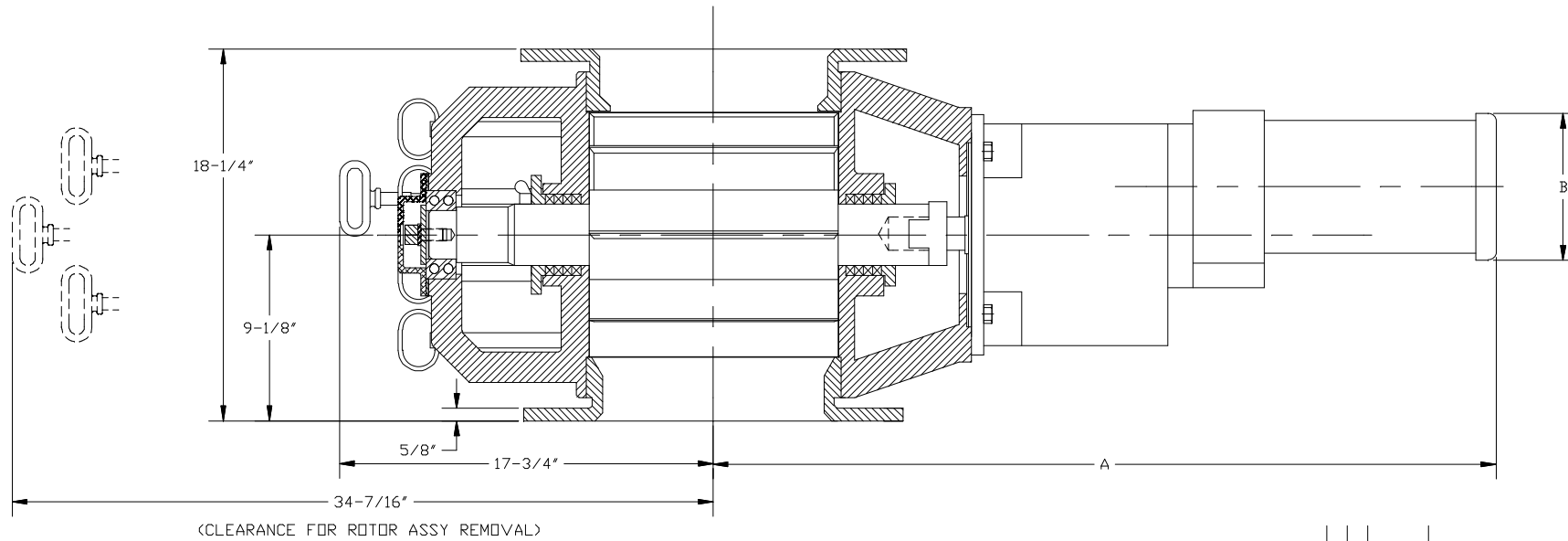


ROTOR	CFR	CAPACITIES IN CUBIC FEET PER MINUTE						
		5 RPM	10 RPM	15 RPM	20 RPM	25 RPM	30 RPM	35 RPM
6 VANE	0.672	3.360	6.720	10.080	13.440	16.800	20.160	23.520
8 VANE	0.649	3.245	6.490	9.735	12.980	16.225	19.470	22.715



MOTOR HP	FEEDER RPM	MOTOR HP/RPM	
		A	B
1/2 HP	7 TO 10	38-7/16"	7.19"
3/4 HP	12, 13	38-7/16"	7.19"
1 HP	15, 17, 19	38-7/16"	7.19"
1-1/2 HP	22	38-7/16"	7.19"
1-1/2 HP	26, 29	35-3/16"	7.19"

- NOTES:
- ALL MOTORS: 3-60-230/460, TEFC, INTEGRAL WITH REDUCER.
 - INFORMATION IS BASED UPON CATALOG DATA. THIS INFORMATION MUST BE USED IN CONJUNCTION WITH, AND NOT IN SUBSTITUTION FOR, THE APPLICABLE PRODUCT CATALOG WHICH CONTAINS IMPORTANT PRECAUTIONS AND OTHER PERTINENT INFORMATION.
 - DIMENSIONS A & B WILL VARY WITH SPECIAL OPTION MOTORS SUCH AS EXPLOSION PROOF, VARIABLE SPEED, AND NEMA "C" FACE.



REV	DATE	DESCRIPTION	BY
A	2-18-98	UPDATE MOTOR CHART & SIDE VIEW	G.J.L.

REVISIONS

WM. W. MEYER & SONS, INC.
SKOKIE, ILLINOIS

12X12 KWIK KLEAN ROUND FLANGE FEEDER WITH TYPICAL RECOMMENDED GEARMOTOR

OUR S.D. NO. REF. S.D. NO.

DRAWN J.M. DATE 7-18-96 DRAWING NUMBER
APPROVED MRD SCALE 430E-1384

M:\RAL\12X12KKR\FDR.DWG