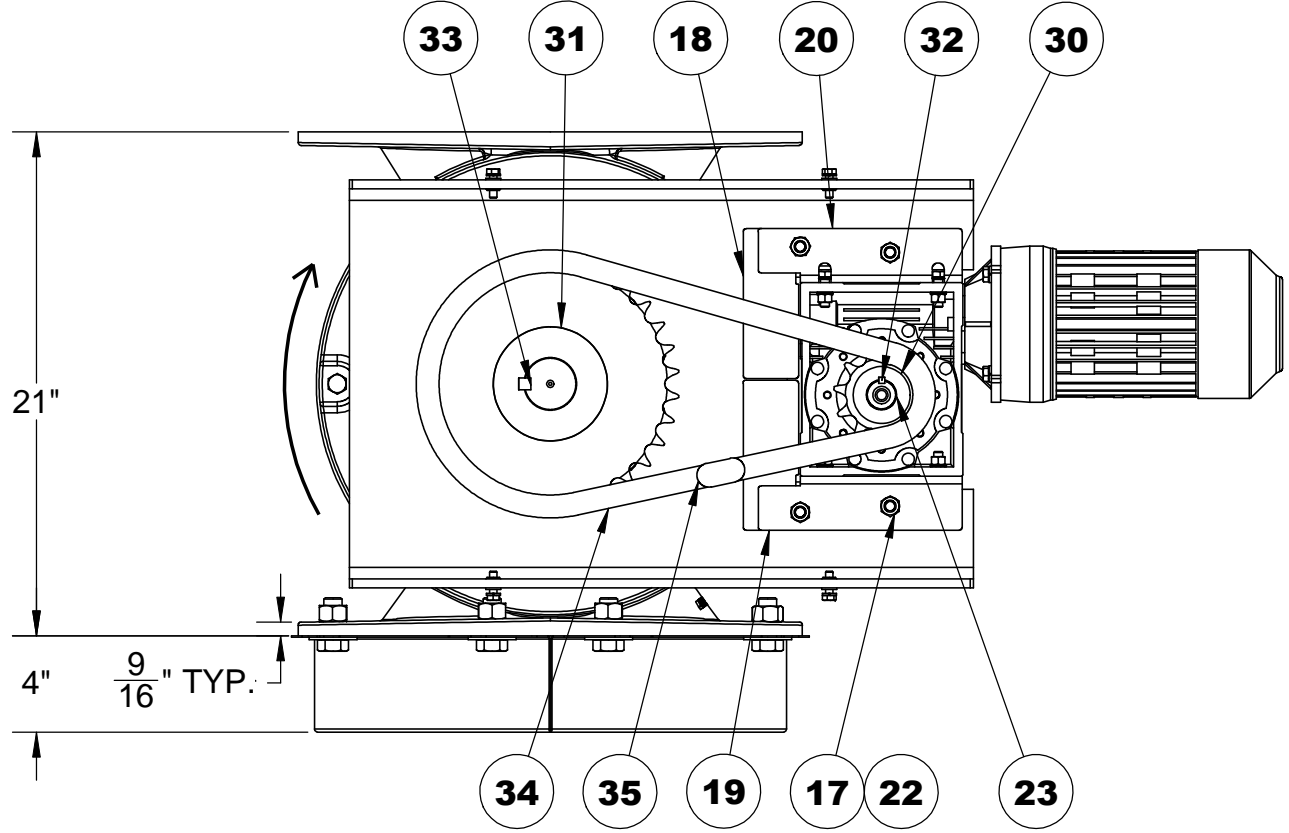
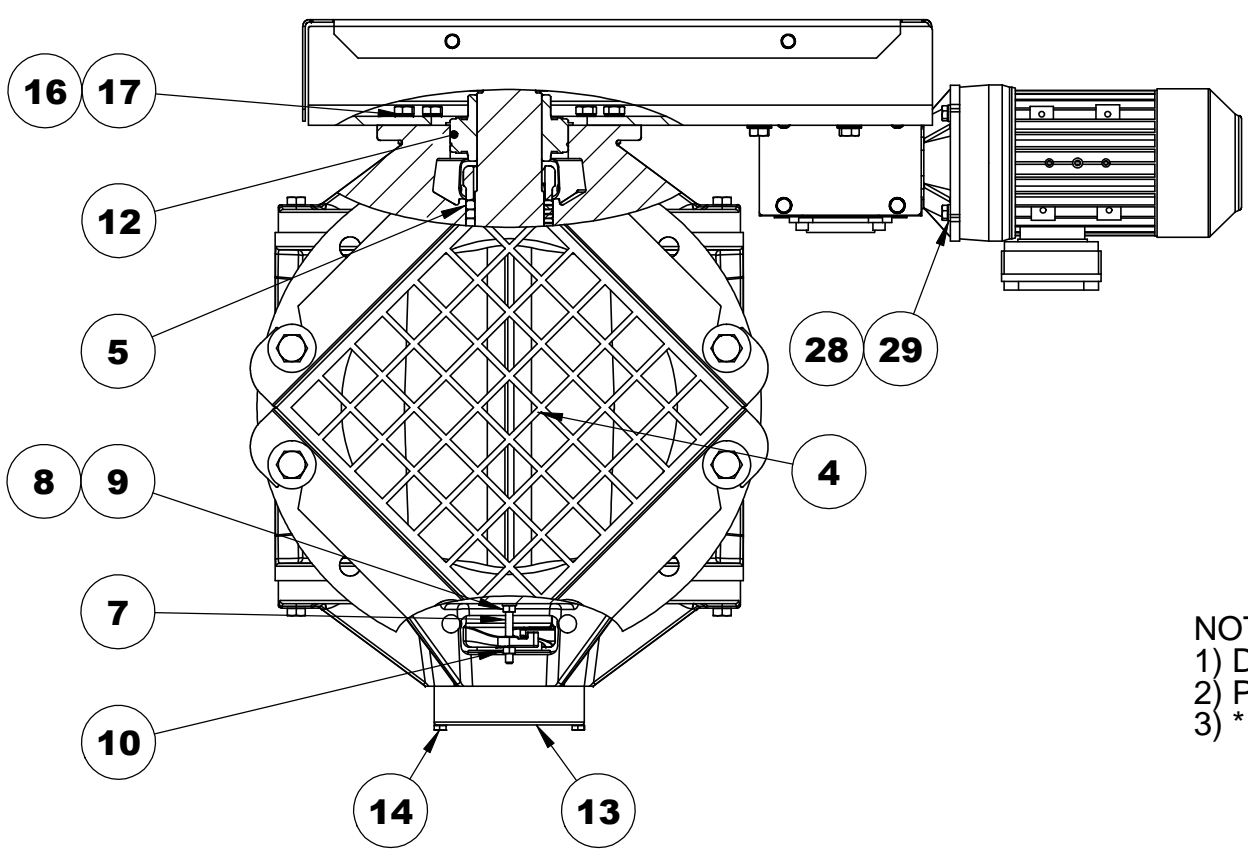
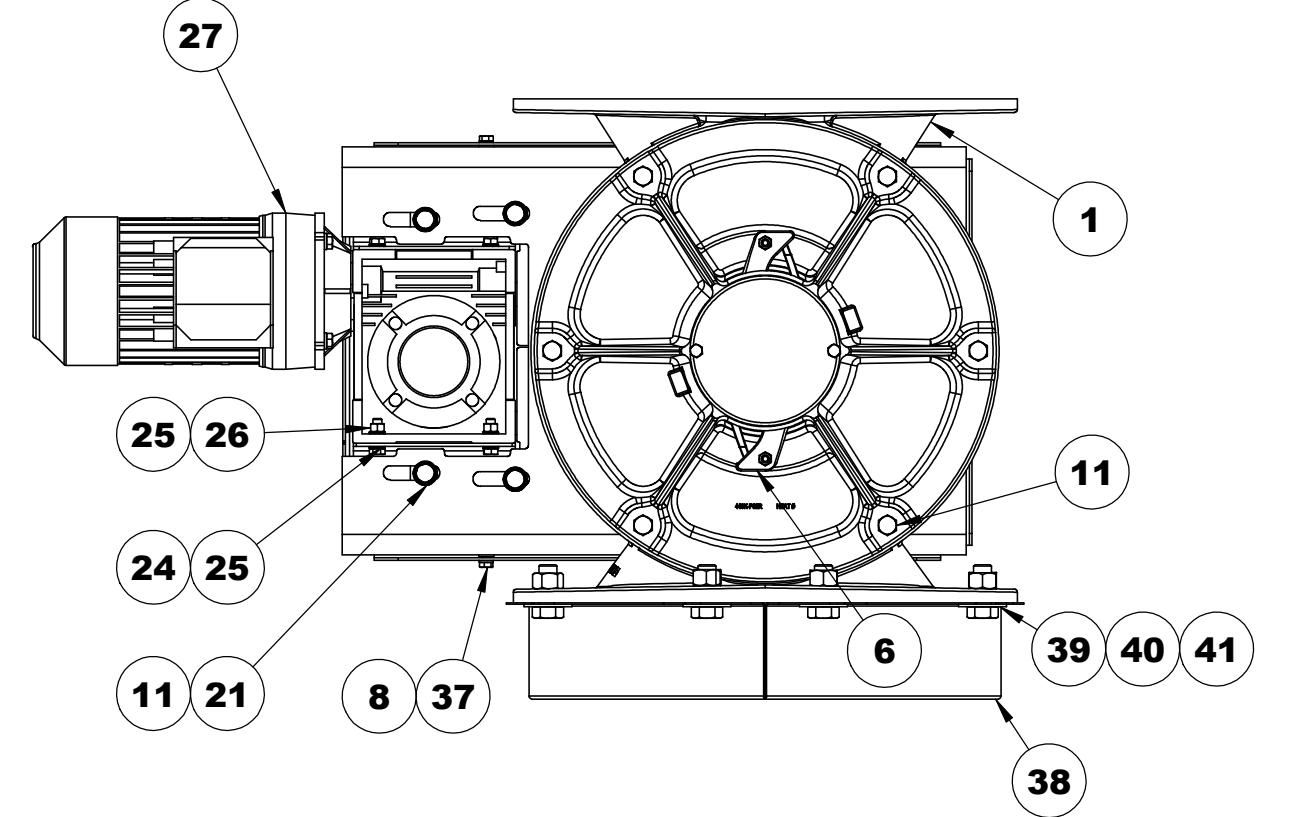
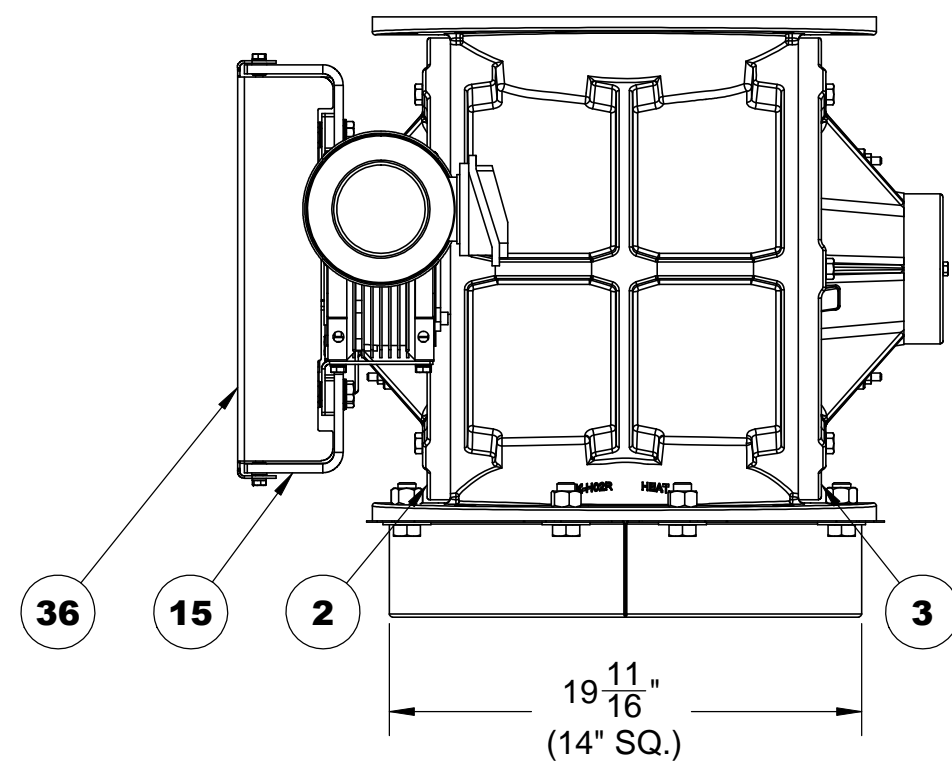


ITEM NO.	PartNo	Description	QTY.
1	440K-H32	14" UDV ROUND HOUSING, CI	1
2	440K-P31	14" UDV DRIVE HEADPLATE, CI	1
3	440K-P32	14" UDV BLIND HEADPLATE, CI	1
4	440K-RU001-T160	14" UDV ROTOR 8V OEBV, CS	1
5	450BA196	PACKING RING, 3/8" SQ., 2 7/8" ID, ARAMID	6
6	440K-N01	14" UDV PACKING NUT, CS	4
7	450JC079	5/16-18 X 3" STUD SS	4
8	FS	5/16" LOCK WASHER	8
9	FS	5/16-18 HEX NUT	4
10	450JH669	5/16-18 CENTERLOCK HEX LOCKNUT, ZP	4
11	FS	1/2-13 X 1 3/4" HEX HEAD BOLT	16
12	450AA006	BEARING	2
13	440K-C05	14" UDV BE BEARING CAP, AL	1
14	FS	5/16-18 X 1 3/4" HEX HEAD BOLT	2
15	440K-D31	14" UDV DRIVE BASE, 3/8" CS	1
16	FS	1/2-13 X 1 1/4" HEX HEAD BOLT	8
17	450JH554	1/2" X 3/4" NORD LOCK WASHER	12
18	440K-D04	GEARBOX SPACER, CS	2
19	440K-D03	14" UDV GEARBOX BOTTOM BRACKET, CS	1
20	440K-D02	14" UDV GEARBOX TOP BRACKET, CS	1
21	450JH686	1/2" x 1" NORD LOCK LOCKWASHER	4
22	FS	1/2-13 HEX NUT	4
23	450GB669	GEARBOX, 30:1 1 1/4" DRIVE, 140TC	1
24	FS	3/8-16 X 1 1/4" HEX HEAD BOLT	6
25	450JH553	3/8" X 5/8" NORD LOCK WASHER	12
26	FS	3/8-16 HEX NUT	6
27	450H-1840	2 HP 1800RPM TEFC 208-230/460-60-3 145TC	1
28	FS	3/8-16 X 1" HEX HEAD BOLT	4
29	FS	3/8" LOCK WASHER	4
30	450F-265	SPROCKET 80B11F, 1.25" BORE	1
31	450F-539	SPROCKET 80B32F, 2 3/16" BORE	1
32	FS	1/4" X 1/4" X 1 1/2" KEY, CS	1
33	FS	1/2" X 1/2" X 1 1/2" KEY, CS	1
34	450FA007	A.S.A. 80 CHAIN (Feet)	4 3/16
35	450FA013	A.S.A. 80 CHAIN MASTER LINK	1
36	440K-G01	14" UDV DRIVE GUARD, CS	1
37	FS	5/16-18 X 1" HEX HEAD BOLT	4
38	430K-1051	14" DISCHARGE GUARD	1
39	FS	3/4" FLAT WASHER	8
40	FS	3/4-10 X 1 3/4" HEX HEAD BOLT	8
41	FS	3/4-10 HEX NUT	8



NOTE: DRIVE GUARD NOT SHOWN.



NOTE:
 1) DESIGN BASED ON 70-160 DEG. F. OPERATING TEMPERATURE.
 2) PAINT STANDARD BLACK ENAMEL.
 3) * MOTOR DIMENSIONS BASED ON STANDARD MOTOR.

REVISIONS				
REV.	DESCRIPTION	DATE	DB	AP
OUR S.O. #	NAME	DATE		
REF S.O. #	DRAWN BY: SC	7/26/11		
REF DWG.	CHECKED BY:			
	ENG APRV.: GS	7/26/11		

Wm. W. Meyer & Sons Inc.
LIBERTYVILLE, IL.

TITLE:
 14" ROUND UDV ROTARY VALVE, CAST IRON
 8 VANE OPEN END MILD STEEL BEVELED ROTOR
 2 HP, 20 RPM

DWG. NO. **441K-1013** REV

PART WEIGHT: 679 LBS SCALE: 1:8 SHEET: 1 OF 1

PROPRIETARY AND CONFIDENTIAL
 THE INFORMATION CONTAINED IN THIS DRAWING IS THE SOLE PROPERTY OF Wm. W. Meyer & Sons, Inc. ANY REPRODUCTION IN PART OR AS A WHOLE WITHOUT THE WRITTEN PERMISSION OF Wm. W. Meyer & Sons, Inc. IS PROHIBITED.