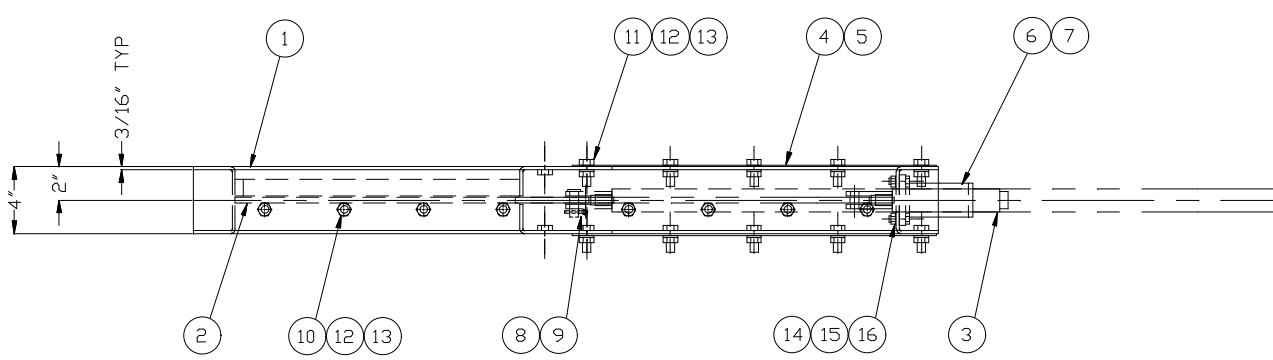
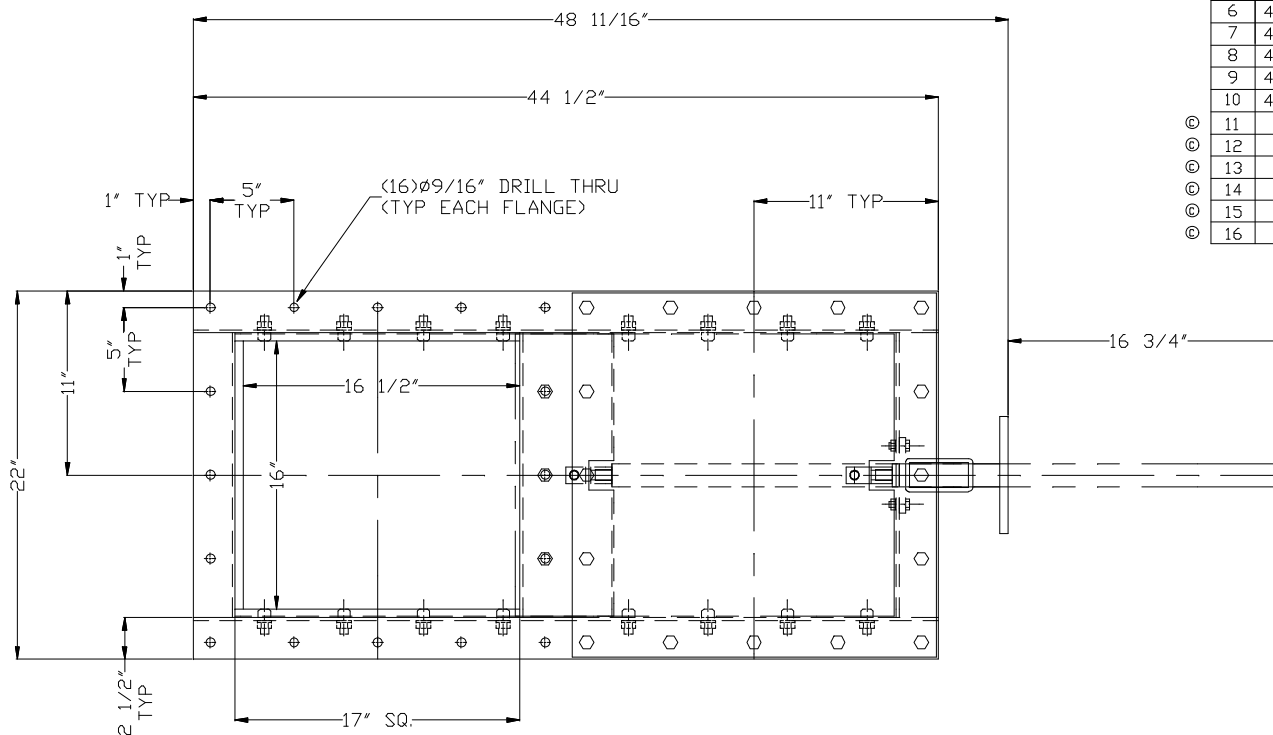


MATERIAL LIST			
ITEM	PART NO.	DESCRIPTION	QTY.
1	430L-182	HOUSING	1
2	430L-196	SLIDE PLATE	1
3	430L-184	SLIDE PLATE SHAFT	1
4	431Y-279	COVER	2
5	450BB035	GASKET	160'
6	430R-004	SHAFT BEARING GUIDE	1
7	450B-100	OIL SEAL	1
8	450JH114	CLEVIS PIN - 1/2" DIA. X 1 13/32" LG.	1
9	450JH069	COTTER PIN - 1/8" DIA. X 3/4" LG.	1
10	450JH065	1/2-13 X 1" LG. S.H.C.S.	16
11	1/2-13 X 1 1/4" LG. H.H.C.S.		26
12	1/2 LOCKWASHER		48
13	1/2-13 NUT		48
14	3/8-16 X 1" LG. H.H.C.S.		4
15	3/8 LOCKWASHER		4
16	3/8-16 NUT		4



NOTE:
1) APPROX. WT. = 175 lbs.

REV.	DATE	DESCRIPTION	BY
C	9-16-98	REDRAWN ON CAD, REDIMENSIONED PRINT ADDED ITEMS 11 THRU 16	BB
B	11-26-90	ADDED ITEM 2	VK
A	12-9-87	REVISED BDM	CZ

REVISIONS			
WM. W. MEYER & SONS, INC. SKOKIE, ILLINOIS			
16 X 16 DUST TIGHT MAINTENANCE SLIDE GATE			
OUR S.D. NO.		REF. S.D. NO.	
DRAWN CZ	DATE 9-30-87	DRAWING NUMBER	
APPROVED MRD	SCALE 3/16	430L-181	