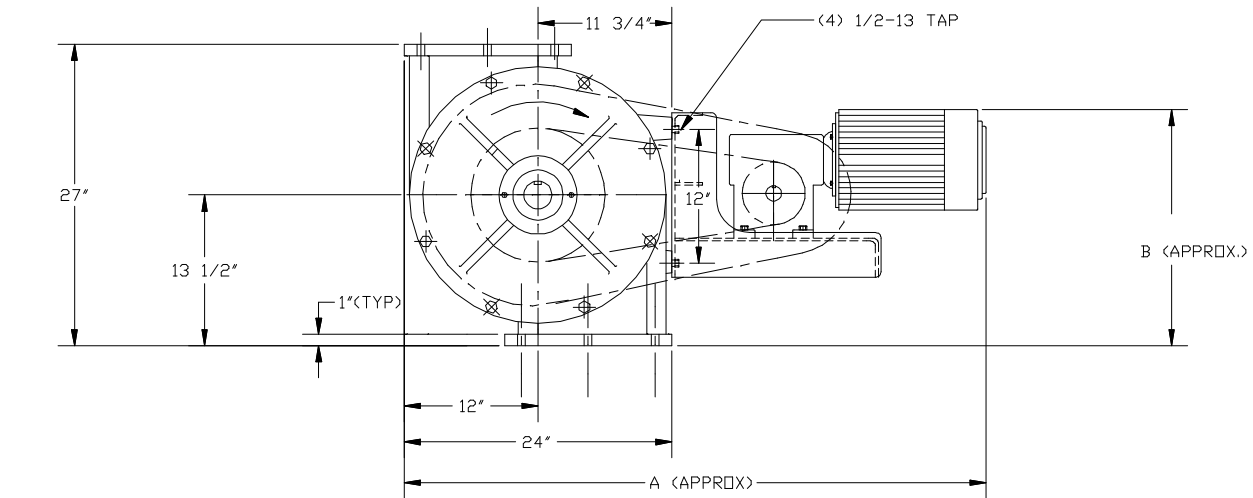
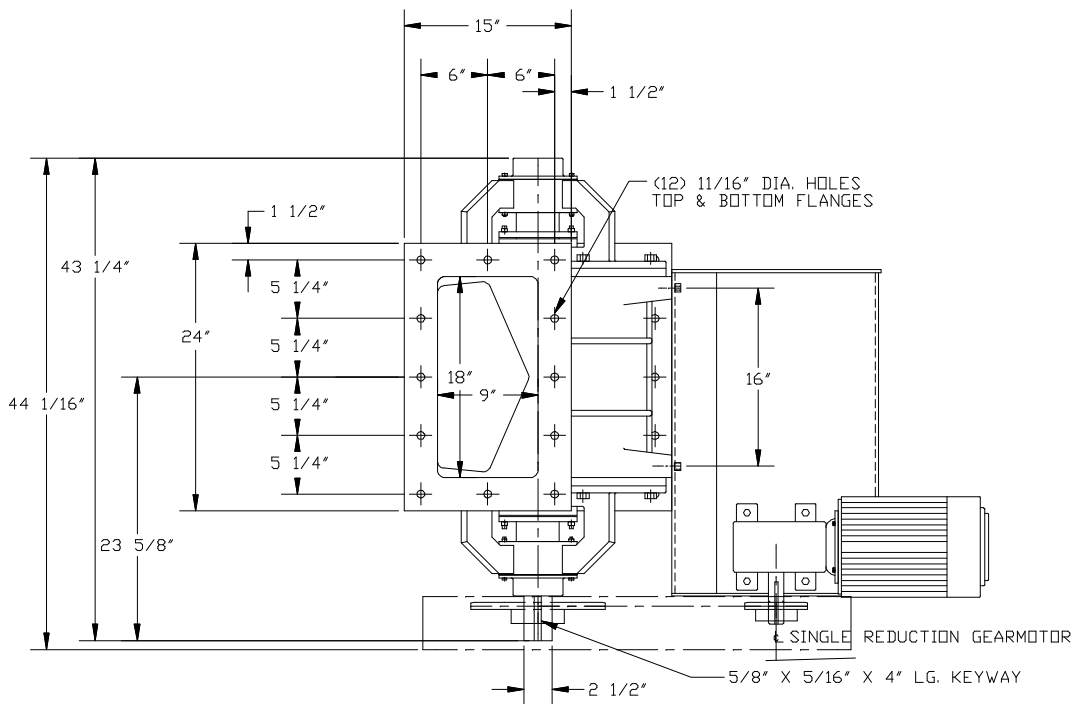


| CAPACITIES IN CUBIC FEET PER MINUTE |       |      |       |        |        |        |        |
|-------------------------------------|-------|------|-------|--------|--------|--------|--------|
| SIZE                                | ROTOR | CFR  | 5 RPM | 10 RPM | 15 RPM | 20 RPM | 25 RPM |
| 18X18                               | 6V    | 2.29 | 11.45 | 22.90  | 34.35  | 45.80  | 57.25  |
|                                     | 8V    | 2.20 | 11.00 | 22.00  | 33.00  | 44.00  | 55.00  |

| DATA FOR NORMAL SERVICE APPLICATIONS |            |        |        |
|--------------------------------------|------------|--------|--------|
| MOTOR HP                             | FEEDER RPM | A      | B      |
| 1 1/2 TEFC                           | 7 THRU 9   | 51 7/8 | 21 5/8 |
| 2 TEFC                               | 10 THRU 14 | 51 7/8 | 21 5/8 |
| 3 TEFC                               | 15 THRU 22 | 55 1/4 | 22 7/8 |

| DATA FOR SEVERE SERVICE APPLICATIONS |            |         |        |
|--------------------------------------|------------|---------|--------|
| MOTOR HP                             | FEEDER RPM | A       | B      |
| 2 TEFC                               | 7 THRU 8   | 53      | 23 1/8 |
| 3 TEFC                               | 9 THRU 13  | 56 5/16 | 24     |
| 5 TEFC                               | 14 THRU 22 | 56 5/16 | 24     |



NOTES:  
 1) ALL MOTORS: 3-60-230/460  
 2) INFORMATION IS BASED UPON CATALOG DATA. THIS INFORMATION MUST BE USED IN CONJUNCTION WITH, AND NOT IN SUBSTITUTION FOR, THE APPLICABLE PRODUCT CATALOG WHICH CONTAINS IMPORTANT PRECAUTIONS AND OTHER PERTINENT INFORMATION

|  |          |                    |          |
|--|----------|--------------------|----------|
| A  | 10-20-04 | UPDATED MODEL NAME | SA       |
| REVISIONS  |          |                    |          |
| WM. W. MEYER & SONS, INC.<br>SKOKIE, ILLINOIS                            |          |                    |          |
| 18X18 HDX SIDE ENTRY FEEDER ASSEMBLY<br>W/TYPICAL RECOMMENDED GEARMOTORS |          |                    |          |
| OUR S.D. NO.   |          | REF. S.D. NO.      |          |
| DRAWN  | LM       | DATE               | 05-03-99 |
| APPROVED   | MRD      | SCALE              | 1/8"     |
|  |          | DRAWING NUMBER     | 430M-489 |

430M-475

M:\R\18X18HDXSEFDR.DWG