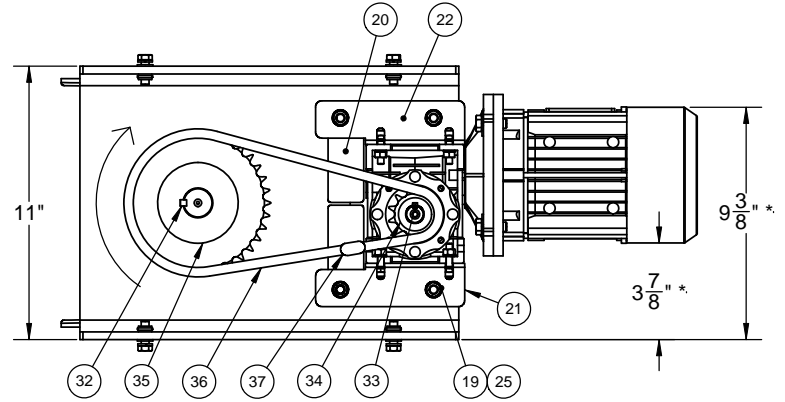
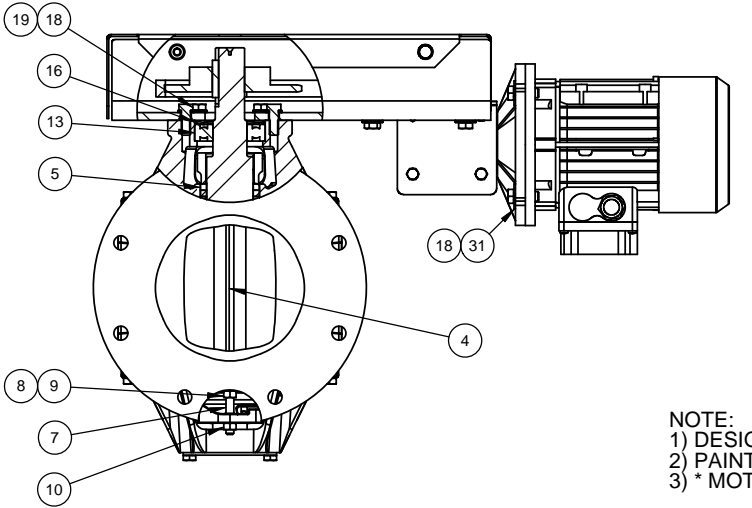
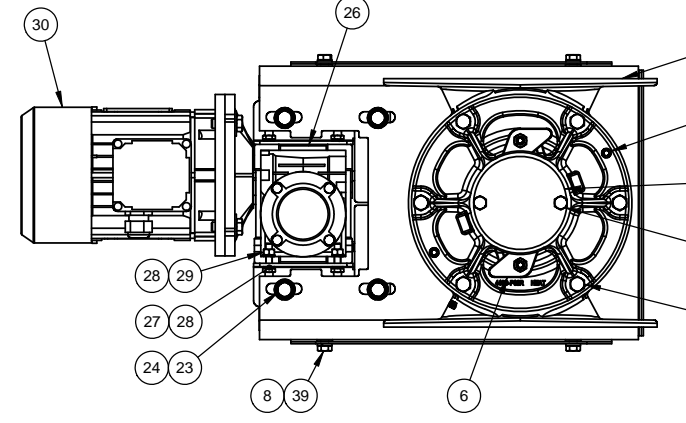
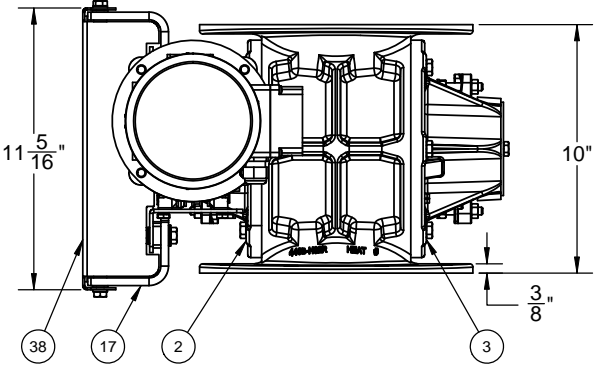


ITEM NO.	PartNo	Description	QTY.
1	440B-H02	6" UDV ROUND HOUSING, CI	1
2	440B-P01	6" UDV DRIVE HEADPLATE, CI	1
3	440B-P02	6" UDV BLIND HEADPLATE, CI	1
4	440B-R001	6" UDV ROTOR 8VOEBV, CS	1
5	450BA188	1/4" PACKING RING, ARAMID FIBER	6
6	440C-N01	6" & 8" UDV PACKING NUT, CS	4
7	450JC074	5/16-18 X 2 1/2" STUD ZP	4
8	FS	5/16" LOCK WASHER	8
9	FS	5/16-18 HEX NUT	4
10	450JH669	5/16-18 CENTERLOCK HEX LOCKNUT, ZP	4
11	450JH670	3/8" X 1" ROLL PIN	4
12	FS	3/8-16 X 1.25" HEX HEAD BOLT	12
13	450AA169	SEALED BALL BEARING	2
14	440C-C01	6" & 8" UDV BLIND END BEARING CAP, CS	1
15	FS	5/16-18 X 1/2" HEX HEAD BOLT	2
16	450JO030	WAVE SPRING 2.875 OD X .093 WIRE	1
17	440B-D01	6" UDV DRIVE BASE, CS	1
18	FS	3/8-16 X 1" HEX HEAD BOLT	10
19	450JH553	3/8" X 5/8" NORD LOCK WASHER	10
20	440B-D04	6" UDV DRIVE SPACER, STEEL	2
21	440B-D03	6" UDV GEARBOX BOTTOM BRACKET, CS	1
22	440B-D02	6" UDV GEARBOX TOP BRACKET, CS	1
23	FS	3/8-16 X 1.5" HEX HEAD BOLT	4
24	450JH689	3/8" X 13/16" NORD LOCK WASHER	4
25	FS	3/8-16 HEX NUT	4
26	450GB676	GEARBOX, NMRV040 30:1 56C 3/4" SHAFT	1
27	FS	1/4-20 X 1" HEX HEAD BOLT	6
28	450JH734	1/4" X 7/16" NORD LOCK WASHER	12
29	FS	1/4-20 HEX NUT	6
30	450H-1836	1/2 HP 1800 RPM TEFC MOTOR 56C 208-230/460-60-3	1
31	FS	3/8" FLAT WASHER	4
32	FS	1/4" X 1/4" X 1 1/2" KEY, CS	1
33	FS	3/16" X 3/16" X 1 1/2" KEY, CS	1
34	450F-357	SPROCKET 40B12F, .75" BORE	1
35	450F-1045	SPROCKET 40B35F, 1 3/16" BORE	1
36	450FA003	A.S.A. 40 CHAIN (Feet)	2 1/2
37	450FA009	A.S.A. 40 CHAIN MASTER LINK	1
38	440B-G01	6" UDV DRIVE GUARD, CS	1
39	FS	5/16-18 X 1" HEX HEAD BOLT	4



NOTE: DRIVE GUARD NOT SHOWN.



NOTE:  
 1) DESIGN BASED ON 70 DEG. F. OPERATING TEMPERATURE.  
 2) PAINT STANDARD BLACK ENAMEL.  
 3) \* MOTOR DIMENSIONS BASED ON STANDARD MOTOR.

REVISIONS				
REV.	DESCRIPTION	DATE	DB	AP
A	Production Release.	11/11/2010	GS	

OUR S.O. #	-	NAME	DATE	<b>Wm. W. Meyer &amp; Sons Inc.</b> LIBERTYVILLE, IL.
REF S.O. #	274425	DRAWN BY:	GS 11-5-10	
REF DWG.		CHECKED BY:		
		ENG APPR.:	TM 11-5-10	

PROPRIETARY AND CONFIDENTIAL THE INFORMATION CONTAINED IN THIS DRAWING IS THE SOLE PROPERTY OF Wm. W. Meyer & Sons, Inc. ANY REPRODUCTION IN PART OR AS A WHOLE WITHOUT THE WRITTEN PERMISSION OF Wm. W. Meyer & Sons, Inc. IS PROHIBITED.		DWG. NO. <b>440B-0102</b>	REV <b>A</b>
		PART WEIGHT: 143.22 LBS	SCALE: 1:5 SHEET: 1 OF 1