



Meyer®
*Engineered Blower
Technologies*



PRESSURE/VACUUM BLOWER PACKAGES

Meyer Pressure-Vacuum Blower Packages

Typical Applications

- Pneumatic Conveying
- Aeration/Waste Water Treatment
- Vacuum Hold-Down/Positioning
- Landfill Evacuation
- Combustion
- Gas Boosting
- Dairy Milking
- Air Sparging
- Compost Aeration
- Vacuum Cleaning
- Dust Collection
- Steam Compression
- High-Performance Applications
- Soil Remediation

Just to name a few of the applications and markets Meyer blower packages have served for over 60 years.

ENGINEERED PERFORMANCE

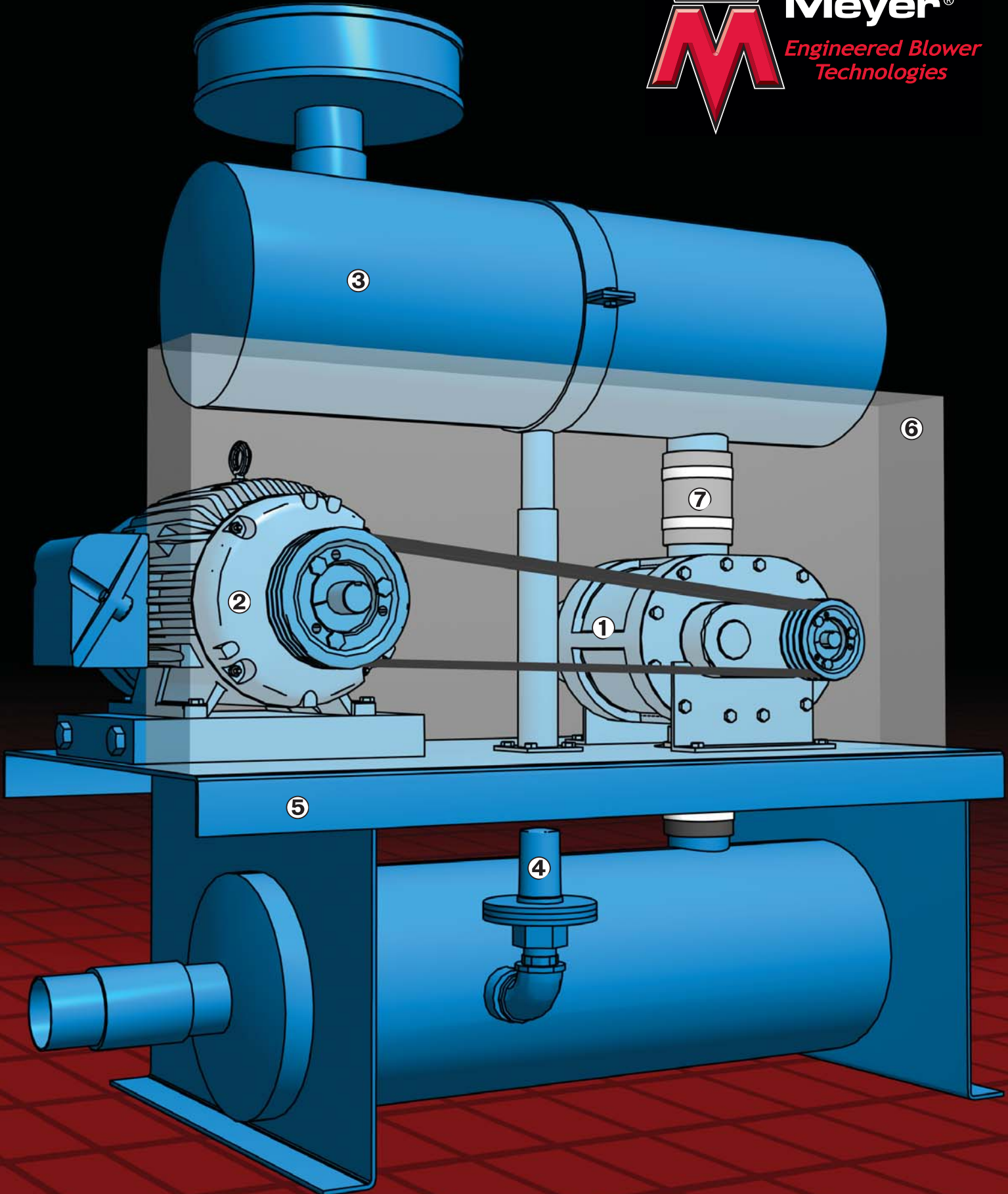
The blower package is often the heart of a process system. Failure of a pressure or vacuum package can stop an entire production process. At Meyer we understand the critical nature of this component. We engineer our packages to the highest standard assuring long life and durable performance. Our experienced sales technicians will help specify a package with ample capacity to power your process with our cost effective designs.

Features

- ❶ Power Paks incorporate, name brand, positive displacement lobe blowers.
- ❷ Premium brand motors
- ❸ Top of the line silencer/filter components
- ❹ Relief valves
- ❺ Rugged, heavy gauge, welded steel plate base
- ❻ Drive guards for optimum safety
- ❼ Completely assembled and pre-piped
 - Pressures up to 20 PSI - Vacuums to 27" Hg



Meyer[®]
*Engineered Blower
Technologies*



MEYER

**Pressure
Blower
Packages**



FEATURES

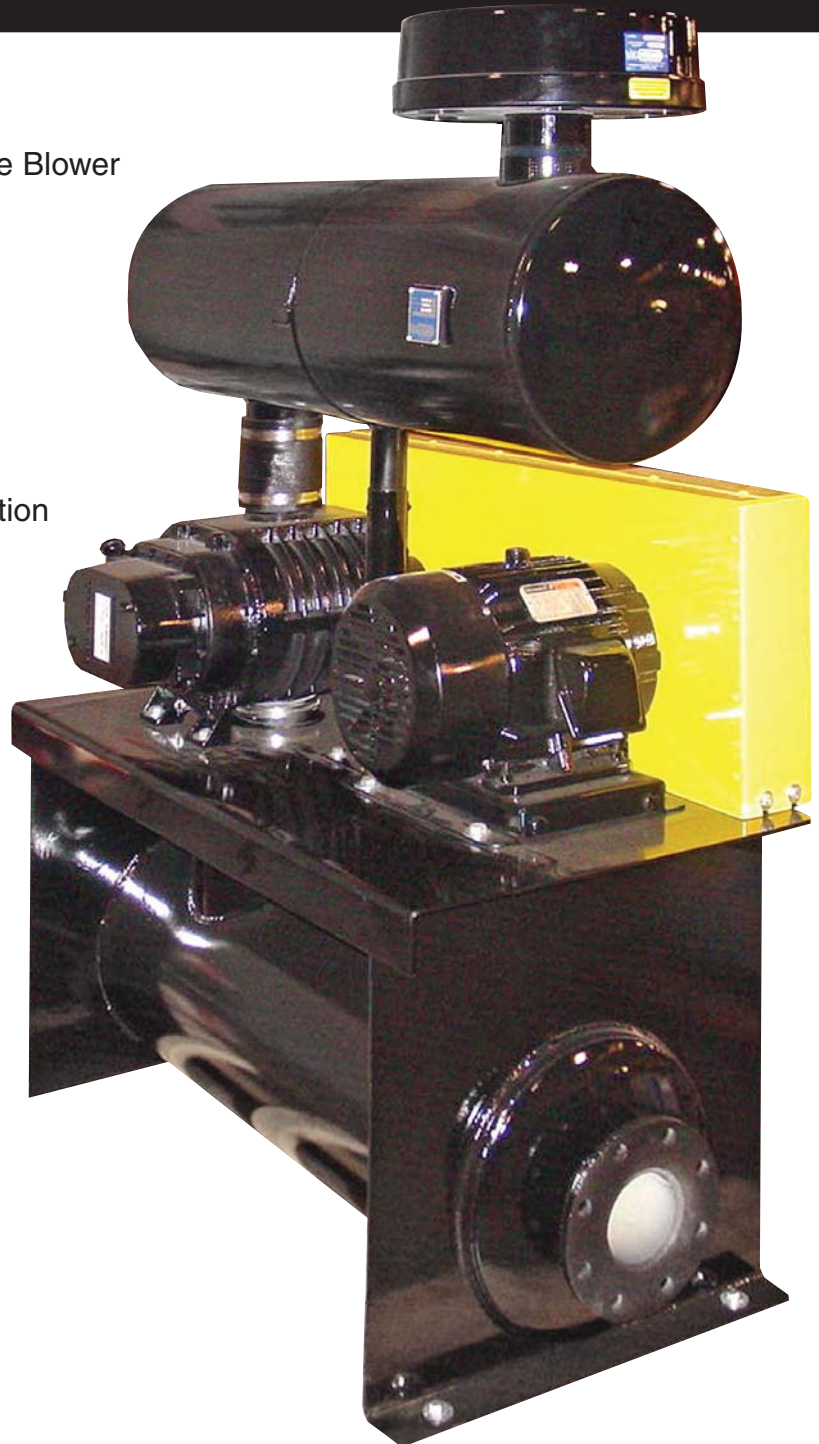
- Power Paks incorporate positive displacement lobe blowers. Built with precision and time tested quality. Pressures to 15 PSI.
- Lobe blower is horizontally mounted for optimum gear lubrication
- Ready to operate. All Power Paks are completely assembled and pre-piped to facilitate installation.
- All packages feature premium brand motors and top of the line silencer/filter components, controls and accessories.
- Pre-engineered drive selections deliver the most efficient operation possible without skimping on service factors.
- Sturdy elevated bases are of heavy gauge reinforced steel plate.
- Rugged ventilated drive guards are designed to withstand abuse.

PSS Model Package

- Dependable Positive Displacement Lobe Blower
- Modular Base/Discharge Silencer
- Horizontal Inlet Silencer and Support
- Inlet Filter with Weatherhood
- V-Belt Drive System
- OSHA V-Belt Drive Guard
- Motor and Slide Base
- Interconnecting Fittings
- Pressure Relief Valve
- Suitable for Indoor and Outdoor Installation
- Shipped Completely Assembled

PFS Model Package

- Dependable Positive Displacement Lobe Blower
- Modular Base/Discharge Silencer
- Horizontal Inlet Filter/Silencer with Weatherhood
- V-Belt Drive System
- OSHA V-Belt Drive Guard
- Motor and Slide Base
- Interconnecting Fittings
- Pressure Relief Valve
- Suitable for Indoor and Outdoor Installation
- Shipped Completely Assembled

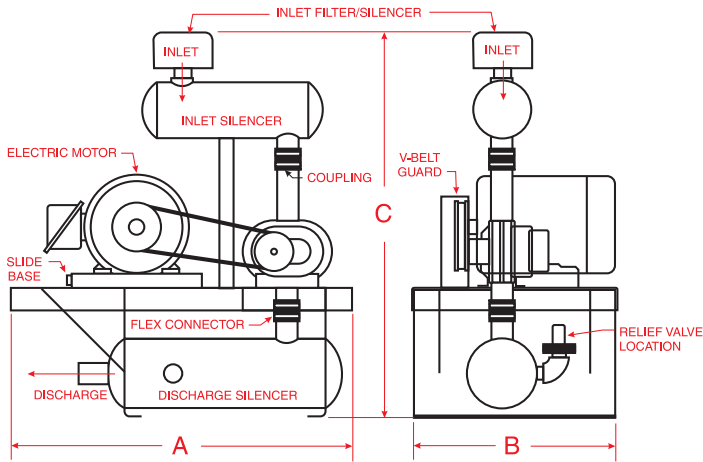


Pressure Blower Packages

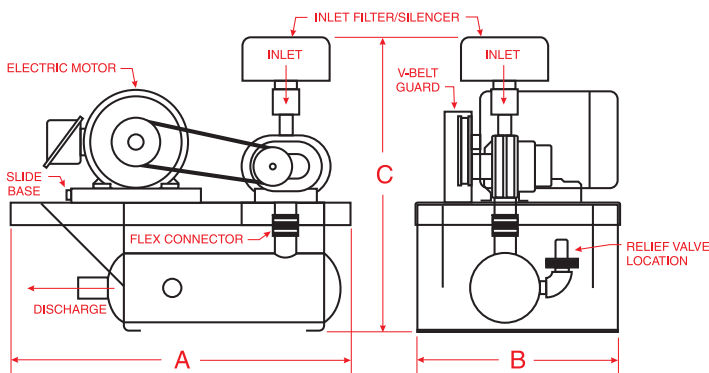
PSS	PFS	RPM	PRESSURE - psig												
			2 cfm	4 cfm	5 cfm	6 cfm	7 cfm	9 cfm	10 cfm	11 cfm	12 cfm	13 cfm	14 cfm	15 cfm	HP Range
2MPSS 1.5/2.0	2MPFS 1.5/2.0	4750	-	-	-	-	58	55	54	52	51	-	-	-	3-7.5
2LPSS 2.0/2.0	2LPFS 2.0/2.0	4750	144	134	131	127	124	-	-	-	-	-	-	-	3-7.5
3HPSS 2.0/2.0	3HPFS 2.0/2.0	3240	-	-	-	-	112	108	105	104	102	100	98	96	3-15
3MPSS 2.0/2.0	3MPFS 2.0/2.0	3240	-	-	-	-	153	147	144	142	140	-	-	-	3-15
3LPSS 3.0/2.5	3LPFS 3.0/2.5	3240	303	289	283	278	273	-	-	-	-	-	-	-	5-15
4HPSS 2.0/2.0	4HPFS 2.0/2.0	3240	-	-	-	-	182	176	173	171	169	166	164	162	5-20
4MPSS 3.0/3.0	4MPFS 3.0/3.0	3240	-	-	-	-	316	308	304	-	-	-	-	-	5-20
4MPSS 3.0/2.5	4MPFS 3.0/2.5	3240	-	-	-	-	316	308	304	-	-	-	-	-	5-20
4LPSS 4.0/3.0	4LPFS 4.0/3.0	3240	504	485	477	470	464	-	-	-	-	-	-	-	5-20
4LPSS 4.0/4.0	4LPFS 4.0/4.0	3240	504	485	477	470	464	-	-	-	-	-	-	-	7.5-20
5HPSS 3.0/2.5	5HPFS 3.0/2.5	2565	-	-	-	-	303	295	292	289	285	282	280	277	15-30
5MPSS 4.0/3.0	5MPFS 4.0/3.0	2565	-	-	-	-	460	449	445	440	436	431	-	-	20-40
5MPSS 4.0/4.0	5MPFS 4.0/4.0	2565	-	-	-	-	460	449	445	440	436	431	-	-	20-40
5LPSS 5.0/4.0	5LPFS 5.0/4.0	2565	853	809	799	789	781	-	-	-	-	-	-	-	20-40
6HPSS 4.0/3.0	6HPFS 4.0/3.0	2115	-	-	-	-	401	391	386	381	377	372	368	364	20-40
6MPSS 5.0/4.0	6MPFS 5.0/4.0	2115	-	-	-	-	692	676	669	662	656	649	643	-	30-60
6MPSS 5.0/5.0	6MPFS 5.0/5.0	2115	-	-	-	-	692	676	669	662	656	649	643	-	30-60
6LPSS 6.0/6.0	6LPFS 6.0/6.0	2115	1416	1373	1356	1341	1326	-	-	-	-	-	-	-	25-50
7HPSS 5.0/4.0	7HPFS 5.0/4.0	1845	-	-	-	-	579	566	560	554	548	543	538	533	25-50
7MPSS 6.0/6.0	7MPFS 6.0/6.0	1845	-	-	-	-	1186	1163	1153	-	-	-	-	-	40-75
7LPSS 8.0/6.0	7LPFS 8.0/6.0	1845	2085	2032	2010	1991	-	-	-	-	-	-	-	-	40-75



PSS Model Package



PFS Model Package



DIMENSIONS

Discharge Pipe Size	Model PSS/PFS	A	B	C		Approx. Max. Net Weight (lbs)	
				PSS	PFS	PSS	PFS
2"	2M,2L,3H,3M,4H	39	23	48	37	325	295
2 1/2"	3L,4M,5H	44.5	27	59	58	510	400
3"	4M,4L,5M,6H	51.5	29.3	69	57	760	650
4"	4L,5M,5L,6M,7H	56	32.5	82	65	1060	1040
5"	6M	66	34.5	80	63	1205	1020
6"	6L,7M,7 L	66	34.5	100	98	1840	1495

Maximum dimension shown in inches. For exact system dimensions and weight contact your Wm. W. Meyer & Sons representative.

System Identification

Blower Model

2 M P S S

Inlet Silencer Connection, Inches

1.5 / 2.0

Discharge Silencer Connection, Inches

P=Pressure

S= Inlet Silencer with Separate Inlet Filter
F=Integral Inlet Filter/Silencer

S=Discharge Silencer

Performance data for air at standard conditions: Sea level 14.7 PSIA, 29.92 "Hg, 68° F Inlet temperature, 36% relative humidity, 0.3 psi pressure drop per inlet/discharge silencer. For applications with gases other than air, or at non-standard conditions, contact your Meyer representative.

MEYER Vacuum Blower Packages



VDS Model FEATURES

Package

- Dependable positive displacement lobe vacuum pump
- Modular Base/Discharge Silencer
- V-Belt Drive System
- OSHA V-Belt Drive Guard
- Motor Slide Base
- Interconnecting Fittings
- Vacuum Relief Valve
- Suitable for Indoor and Outdoor Installation
- Shipped Completely Assembled

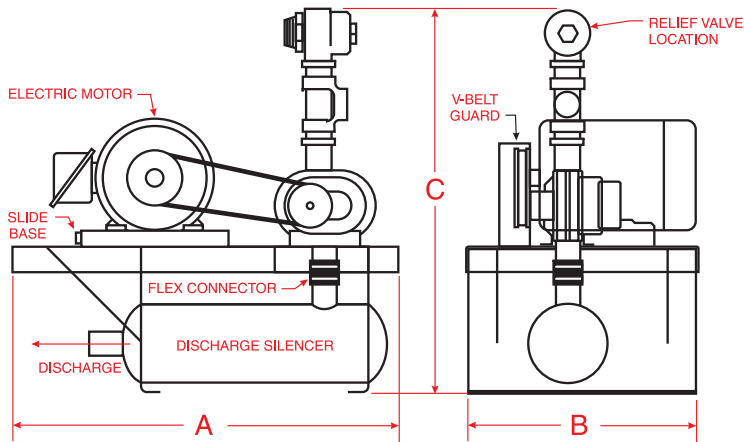


Vacuum Blower Packages

VDS	RPM	VACUUM - "Hg								
		2 cfm	4 cfm	6 cfm	8 cfm	10 cfm	12 cfm	14 cfm	16 cfm	HP Range
2MVDS 2.0	4750	-	-	65	61	58	54	51	46	1.5-5
2LVDS 2.0	4750	150	143	136	130	124	118	111	-	2-7.5
3HVDS 2.0	3240	-	-	122	117	112	107	101	-	2-7.5
3MVDS 2.5	3240	179	171	165	159	153	147	139	-	2-7.5
3LVDS 2.5	3240	313	301	292	282	273	263	252	-	5-15
4HVDS 2.5	3240	-	-	194	188	182	175	168	160	5-10
4MVDS 3.0	3240	-	-	335	326	316	307	296	285	10-15
4LVDS 4.0	3240	518	502	489	476	464	450	436	-	5-20
5HVDS 3.0	2565	-	-	319	311	303	294	285	274	5-15
5MVDS 4.0	2565	-	-	483	471	460	448	435	420	5-25
5LVDS 5.0	2565	853	833	815	798	780	762	743	-	7.5-30
6HVDS 3.0	2115	-	-	424	413	401	389	376	361	7.5-20
6MVDS 4.0	2115	-	-	726	709	690	674	654	632	15-30
6LVDS 6.0	2115	1446	1411	1382	1354	1326	1296	1265	-	20-50
7HVDS 5.0	1845	-	-	607	593	579	564	547	529	15-30
7MVDS 6.0	1845	1289	1259	1234	1210	1185	1160	1132	1101	25-50
8HVDS 4.0	Consult Factory									



VDS Model Package



DIMENSIONS

Discharge Pipe Size	Model VDS	A	B	C	Approx. Max. Net Weight (lbs)
2"	2M,2L,3H	39	23	36	275
2 1/2"	3M,3L,4H	44.5	27	38	375
3"	4M,5H	51.5	29.3	44	570
4"	4L,5M,6H	56	32.5	53	780
5"	5L,6M,7H	66	34.5	63	1015
6"	6L, 7M	66	34.5	73	1330

Maximum dimension shown in inches. For exact system dimensions and weight contact your Wm. W. Meyer & Sons representative.

System Identification

Vacuum Pump Model

2 M V F D
2.0

V=Vacuum

F= Inlet Silencer with Separate Inline Filter

D=Discharge Silencer

Discharge Silencer Connection, Inches

Performance data for air at standard conditions: Sea level 14.7 PSIA, 29.92 "Hg, 68° F Inlet temperature, 36% relative humidity, 0.3 psi pressure drop per inlet/discharge silencer. For applications with gases other than air, or at non-standard conditions, contact your Meyer representative.

MEYER

Custom Engineered Packages



Meyer customer engineered packages provide a unique solution

- Large volume units to 32,000 cfm
- High vacuum units to 27" Hg
- High pressure units to 20 PSI
- Custom bases
- Special stainless construction
- Special airflow designs
- Temperature, pressure and vibration switches
- Pre-assembly and wiring
- Large motor designs
- V-belt, jack shaft, gear box and direct drive

Stainless
Gas Tight
Design



Duplex Blower Package
with Custom Piping



Structural steel
base package
for 100 HP,
DuroFlow blower

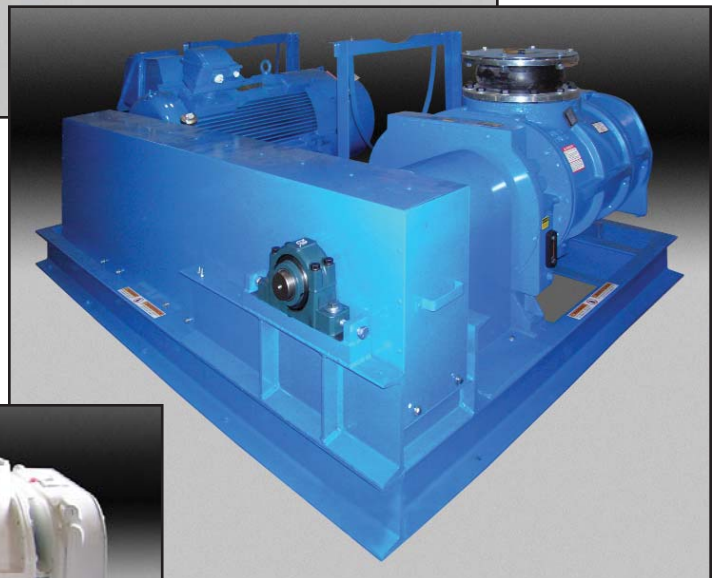
Custom Engineered Packages

200 HP Cycloblower packages with blower internals with Corrguard "corrosion" resistant coating.



Fully assembled 300 HP Sutorbilt blower packages with special paint.

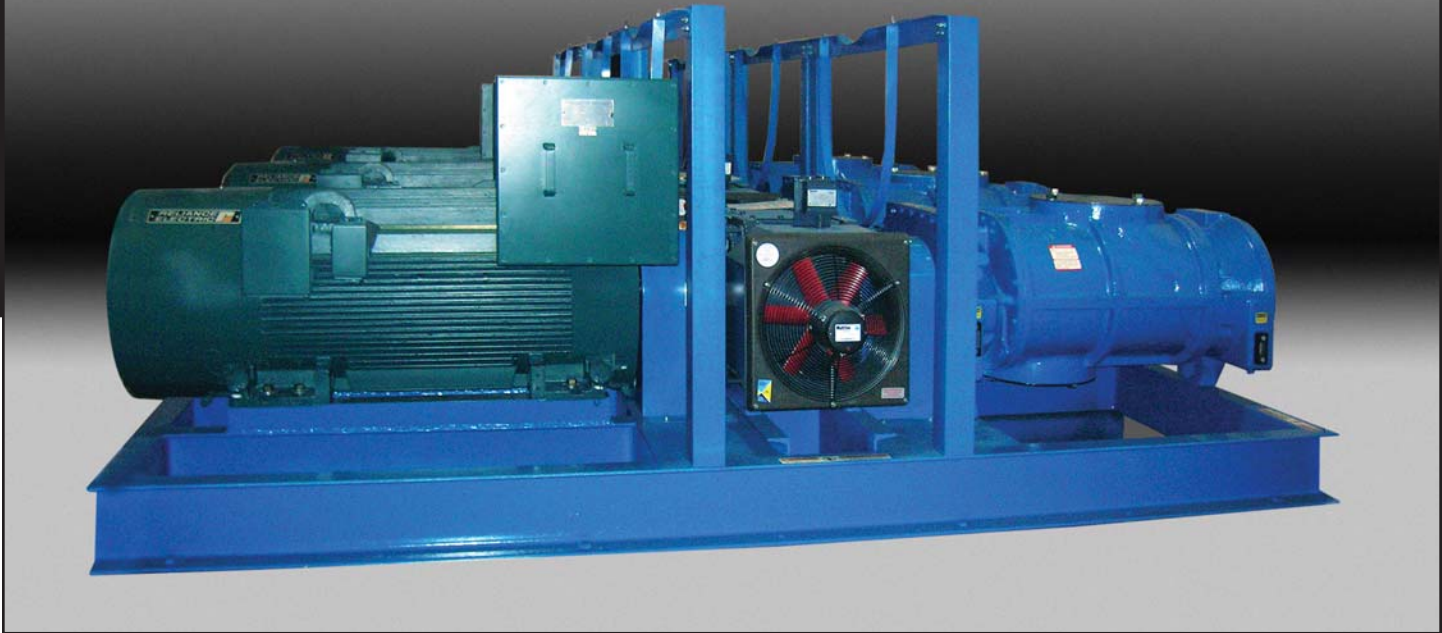
300 HP Cycloblower package with jack shaft v-belt drive



250 HP Cycloblower direct drive package



500 HP Gearbox
Drive Cycloblower
Package



Pre-wired and piped blower control package for differential pressure, temperature and discharge pressure.

Special filter gauge restriction package



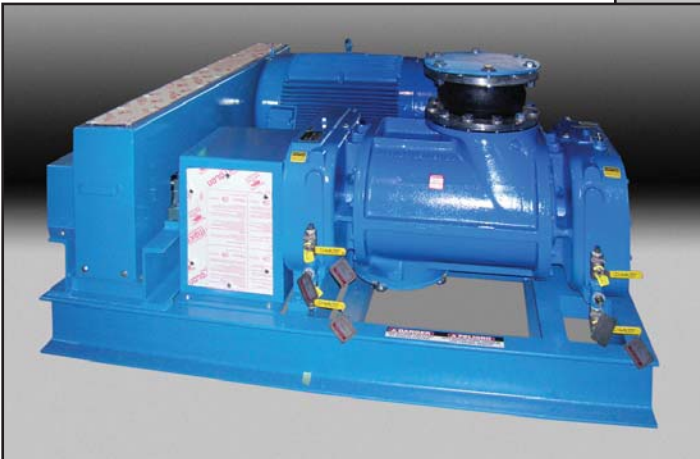
Under/Over Vertical
Sutorbilt Blower Package

Custom Engineered Packages

Wastewater plant manifold system blowers



Cycloblower Package, provided with special guards, viewing windows and oil bleed valves

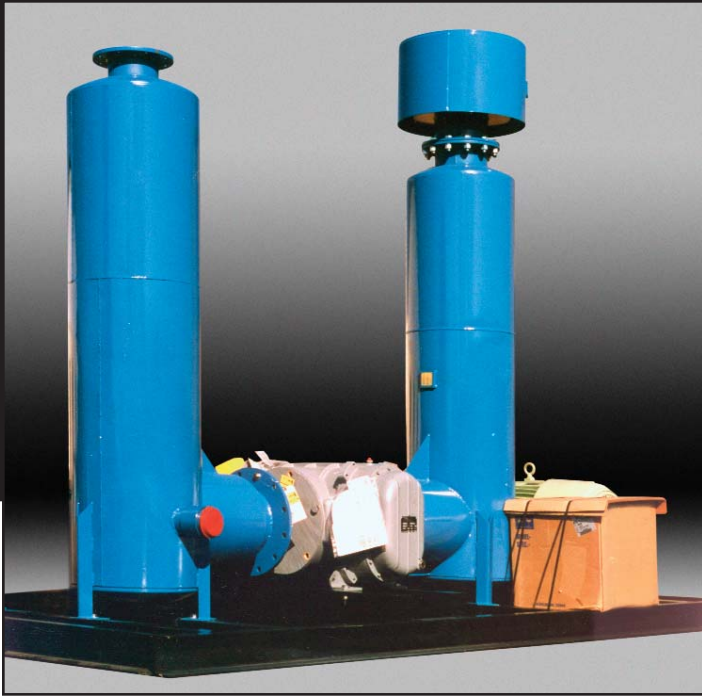


250 HP Cycloblower Package with special ductile iron drive



Kaiser 300 HP low headroom pre-assembled package





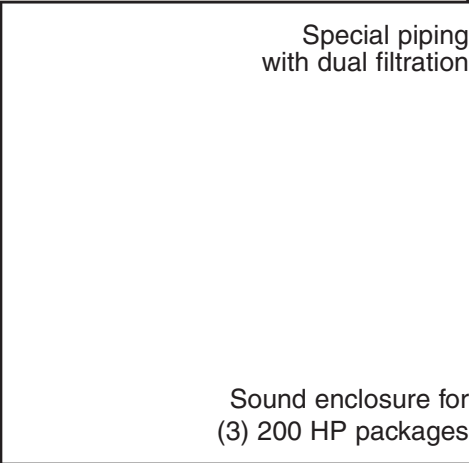
Custom pre-assembly



Special piping with dual filtration



Silencers and components prepared for long-term storage



Sound enclosure for (3) 200 HP packages



SYSTEM COMPONENTS

In addition to Blower Packages, Meyer designs, engineers and manufactures a wide variety of other products designed specifically for bulk processing applications. Like our blower packages, these products are designed and built to withstand the rigors of demanding applications. The next time you are in the market to repair, replace or upgrade your process system components, give us a call. We manufacture all the key components for pneumatic conveying, process metering and dust control.



Rotary Airlocks



Pneumatic Screw Pumps



Double-Flapgate Airlocks



Line Diverter Valves



Swing Gates



Slide Gates



Double Clam Shell Gates



Rotary Plug Valves



Knife Gates



Gravity Flow Diverter Valves

SERVICES & PARTS



Since 1946, Wm. W. Meyer & Sons has been delivering quick, conscientious service and superior craftsmanship on replacement parts to customers throughout the country. We understand the costs of downtime, and make it our highest priority to help you keep your plant running trouble-free. Our on-site preventative maintenance programs, responsive repair services and quick-ship replacement parts capabilities help us deliver the extra value customers need in today's competitive marketplace.

In addition to maintaining and repairing our own Pneumatic Screw Pumps, we also provide expert repair services on other manufacturers' products.

WE OFFER REPAIR SERVICES ON THESE AND OTHER SYSTEM COMPONENTS:

Rotary Airlocks

Double-Flapgates

Diverter

Slide Gates

Grinders

Compressors

Pumps

Blowers

Many times, repairs can be done right on the spot to minimize production disruption and speed startup. However, when it is impractical to repair a unit on site it will be shipped to our repair facility for immediate attention. It will be torn down, carefully inspected and restored to like-new condition, including a return to the original tolerances.

COMPREHENSIVE EVALUATION ON EVERY UNIT:

Complete disassembly

Inspection of each component

Comparison to original manufacturers' specs and tolerances

Repair or replacement of worn or damaged component parts

Genuine OEM Parts

Re-assembly

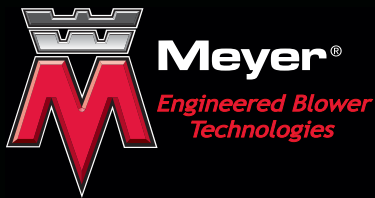
Final Testing

Service Warranty



If your equipment is beyond repair or it is not economical to repair it, Meyer will give you the option of choosing between a new or re-manufactured piece of equipment from available stock.

q u a l i t y
e x p e r t i s e
s e r v i c e
d e p e n d a b i l i t y



Wm. W. Meyer & Sons, Inc.
1700 Franklin Blvd.
Libertyville, IL 60048

Phone: 847-918-0111
Toll Free: 800-963-4458
Fax: 847-918-8183

www.wmwmeyer.com

270-B-002