

# Forged

with smoking hot prices



## The New Universal Duty Valves

### UDV SERIES FEATURES:

- 6" thru 14" square or round
- Cast iron or stainless steel construction
- Outboard bearings
- Externally replaceable packing
- Stock delivery program and...  
**30% MORE CAPACITY**



**Meyer®**

*Engineered to Perform  
Built to Last*

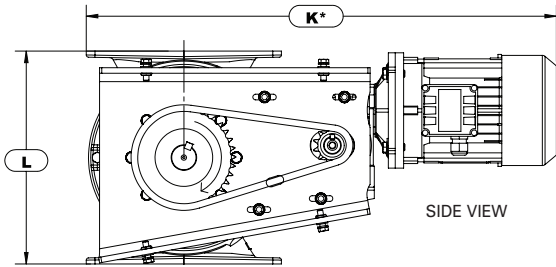
**CALL 1-800-963-4458**

1700 Franklin Blvd. • Libertyville, IL 60048  
P: (847) 918-0111 • F: (847) 918-8183  
www.rotaryvalve.com • sales@wmwmeyer.com

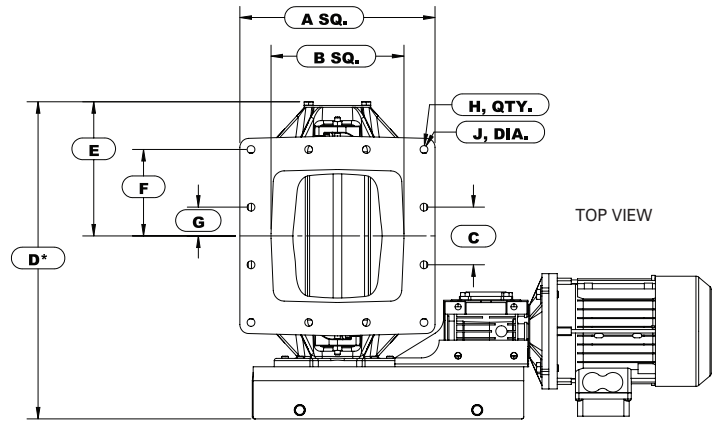


# UDV SERIES FEATURES:

- 6 thru 14
- Cast iron or stainless steel construction
- 8 vane open end beveled rotors
- Optional sealstrips including: urethane, mild or stainless steel
- Chrome wear resistant coating (optional)
- Outboard bearings
- Externally replaceable packing
- Standard drives at 15, 20 or 25 RPM
- TEFC motors with optional MAC or XP types



GUARD COVER REMOVED FOR ILLUSTRATION

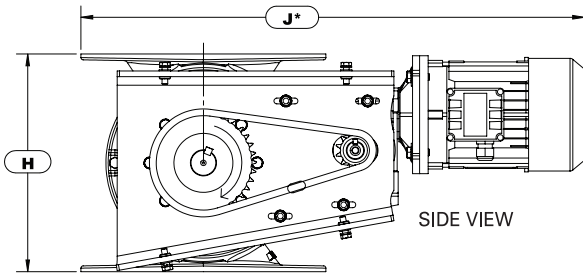


Square UDV		Dimensions in inches										
SIZE	CFR	A	B	C	D*	E	F	G <sup>1</sup>	H	J	K*	L
6	0.100	8	5-1/2	3-3/4	13-1/4	7-1/4	3-5/8	-	8	7/16	25	10
8	0.238	11	7-1/2	5	17-7/8	7-9/16	4-7/8	-	8	7/16	26	12
10	0.496	13-1/4	9-1/2	4	20-1/4	10-3/8	6	2	12	9/16	29-1/2	15
12	0.912	16-1/4	11-1/4	4-3/4	23-3/8	11-7/8	7-5/16	2-7/16	12	9/16	32	18-1/4
14	1.409	19	14	4-1/4	26-1/4	13-1/2	8-1/2	4-1/4	16	9/16	35	21

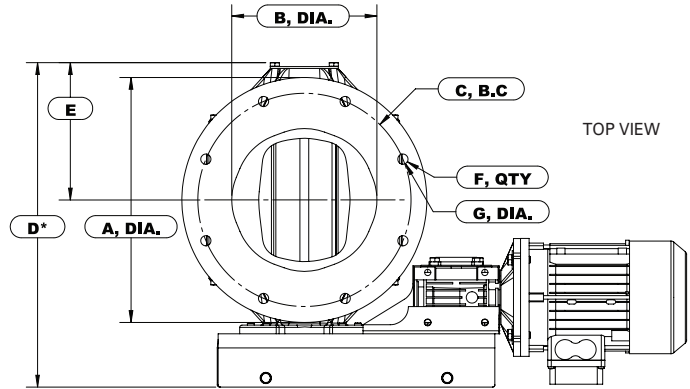
Dimensions are not for construction purposes

Note 1: 6" & 8" DO NOT HAVE CORNER HOLES- ONLY 2 HOLES STRADDLE EACH SIDE

\*DIMENSIONS APPROXIMATED



GUARD COVER REMOVED FOR ILLUSTRATION



Round UDV		Dimensions in inches									
SIZE	CFR	A	B	C	D*	E	F	G	H	J*	
6	0.100	11	6	9-1/2	13-1/4	7-1/4	8	1/2	10	26-3/4	
8	0.238	13-1/2	8	11-3/4	17-7/8	7-9/16	8	1/2	12	27-3/4	
10	0.496	16	10	14-1/4	20-1/4	10-3/8	12	5/8	15	31-3/4	
12	0.912	19	12	17	23-3/8	11-7/8	12	5/8	18-1/4	34-1/2	
14	1.409	21	14	18-3/4	26-1/4	13-1/2	12	3/4	21	38	

Dimensions are not for construction purposes

\*DIMENSIONS APPROXIMATED



**CALL 1-800-963-4458**

P: (847) 918-0111 • F: (847) 918-8183 www.rotaryvalve.com • sales@wmwmeier.com

269-E-005