

# Rotary Airlock Feeders

## INSTALLATION, OPERATION & MAINTENANCE INSTRUCTIONS



Read this manual carefully before installing, operating or maintaining this equipment. Failure to do so could result in serious injury or death.

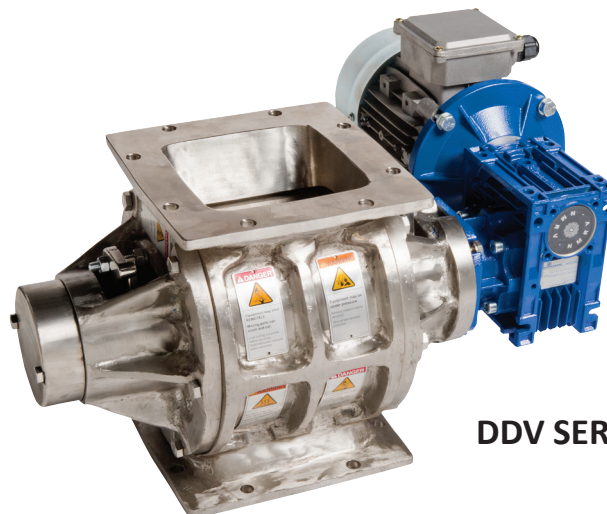
*Save this manual*



**HDX SERIES**



**UDV SERIES**



**DDV SERIES**

**Your Source for Bulk Handling/Air Process Equipment**

**Wm. W. Meyer & Sons, Inc.**

1700 Franklin Blvd • Libertyville, Illinois 60048-4407 • 800-963-4458 • 847-918-0111 • Fax: 847-918-8183  
e-mail: [sales@wmwmeyer.com](mailto:sales@wmwmeyer.com) · websites: <http://www.meyerindustrial.com> or [www.wmwmeyer.com](http://www.wmwmeyer.com)

## TABLE OF CONTENTS

Safety Precautions .....	2
Application and Models .....	7
Installation .....	8
Start-Up Procedure .....	10
Proper Handling and Maintenance .....	11
Parts List and Drawing .....	13



### SECTION I SAFETY PRECAUTIONS

#### TO THE OWNER, AND INSTALLATION, OPERATION AND MAINTENANCE PERSONNEL

The safety of the operator and those people that may come into contact with the Rotary Airlock Feeder Valve is of great importance to Wm. W. Meyer & Sons, Inc. ("Meyer"). The decals, shields, guards and other protective features designed, furnished or recommended for this machine are there for your protection. BEFORE attempting to install, operate or perform maintenance on this Equipment READ carefully and UNDERSTAND all safety instructions contained in this Installation, Operation, and Maintenance Instructions. Failure to do so could result in serious injury or death.

#### Equipment owner responsibilities


Equipment owners are responsible for understanding the contents of this document and compliance with applicable government laws and regulations and appropriate industry standards. Appropriate plant safety and equipment training is the responsibility of the plant owner. This Manual is intended to assist the owner in the training process. The installation, operation and maintenance of this equipment should be restricted based on the following:


- Installation and maintenance of equipment must be performed by qualified mechanics/millwrights/maintenance personnel that are familiar with the relevant contents of this manual.
- Installation of any electrical equipment must be completed by qualified electricians, in compliance with applicable codes and ordinances.


Because Meyer is not always aware of the application and does not always have access to the installation, your participation in the safe installation, operation and maintenance of your Rotary Airlock Feeder is critical. The owner/operator is responsible for any hazards related to the material that is being processed through the equipment. If you have any safety or operational questions pertaining to the design or applications of the Rotary Airlock Feeder we encourage you to contact the factory at (800) 963-4458.


Consult the factory for the availability of manuals in other languages.

## SIGNAL WORD DEFINITIONS


 **DANGER** Indicates a hazardous situation which, if not avoided, will result in death or serious injury.

 **WARNING** Indicates a hazardous situation which, if not avoided, could result in death or serious injury.

 **CAUTION** Indicates a hazardous situation which, if not avoided, could result in minor or moderate injury.

 **NOTICE** Indicates information that is important, which if not followed, may cause damage to the equipment.

## IMPORTANT SAFETY INFORMATION

 **WARNING** To reduce the risk of serious injury or death:

- **Be qualified.**
  - Operation of this equipment must be limited to those that are properly trained in its use.
  - Servicing or maintaining this equipment must be performed by trained maintenance personnel only.
- **Read all safety information.**
  - Read and understand all the **safety related information contained in this manual** prior to attempting to perform any work on this equipment.
  - Obey all the **safety labels** on the equipment. Do not remove any safety labels. If the equipment is missing any labels (see “SAFETY LABELING” section), contact the factory immediately, before putting the equipment into service.
  - For **add on equipment**; motor, switches, etc. refer to the appropriate manufacturer’s safety information.
- **Heavy – handle safely.** The weight of this equipment and its component parts could cause serious injury if dropped or mishandled during installation, service, or maintenance. Always use safe handling and rigging methods.
- **Guard and avoid dangerous internal parts.** The internals of this equipment contains moving part(s) that will crush and cut any body parts they come in contact with, resulting in serious injury or death.
  - **Equipment can start without warning.**
  - **Inlet and outlet flanges** must always be permanently fastened to mating system components or permanently guarded. Components and guards must be designed such that no access to the interior of the equipment is allowed during operation. See “HAZARD IDENTIFICATION” for process integration and installation details.
  - **Never open access covers/door or reach inside** the equipment for any reason while it is in operation.
- **Guard external moving parts.** Unguarded external moving parts expose personnel to pinch points, which could result in serious injury or death.
  - Never operate this equipment without guards attached.

- o Any accessory or auxiliary components installed with this equipment must have protective guarding correctly installed and permanently fastened in place.
- **Keep clear.** Always keep hands, feet, or other body part, loose clothing, jewelry, away from the inlet/outlet, drive, components/accessories, and associated equipment.
- **Lockout/Tagout all sources of energy and relieve pressure** before installing, servicing, or maintaining this equipment. This includes but is not limited to: motors, switches, cylinders, and solenoids.
  - o Equipment may start remotely, without warning, if energized.
  - o Hazardous voltage presents the risk of electrical shock.
  - o Equipment may be under pressure – pressurized gas and material could cause serious injury or death.
  - o Equipment surfaces may be hot; allow them to cool before performing any work.

## HAZARD IDENTIFICATION

### *Principle of operation*

Rotary Airlock Feeders are components that are used as an airlock transition point, sealing pressurized systems against loss of air or gas while maintaining a flow of material between components with different pressure. They are a particularly versatile component which can be utilized in a wide variety of material handling applications. By their nature, Rotary Airlock Feeders are of no use by themselves; they are only useful when added as a component to a material handling system as part of a larger process.

### *Amputation hazard*

Rotary Airlock Feeders have tight clearances and powerful motors. If either the inlet or discharge openings are left unguarded, the Rotary Airlock Feeder's rotor presents a serious personal injury hazard, including but not limited to amputation. Any part of the human body in the way of a rotor and the housing **will** be cut off.

### *Guarding discharge*

As a courtesy, the Rotary Airlock Feeder is shipped with an attached **discharge** flange guard. This guard should not be removed and should remain in place during operation. However, due to the vast number of potential applications in which Rotary Airlock Feeders can be used, it is neither feasible nor practical for Meyer to supply a discharge guard which will be effective in every possible application or process. If the supplied **discharge** flange guard does not work for your specific application or process, alternative suitable guarding **must** be utilized to ensure safe operation. "Alternative suitable guarding" could be another piece of equipment, chute, bin or custom discharge guard. It is imperative that the Rotary Airlock Feeder should not be operated without the discharge opening fully guarded such that no contact can be made with the moving parts inside of the equipment. It remains the owner/operator's responsibility to ensure that the Rotary Airlock Feeder is safely integrated for the particular process and application for which it was purchased and that the discharge opening remains guarded at all times during operation.

## Guarding inlet

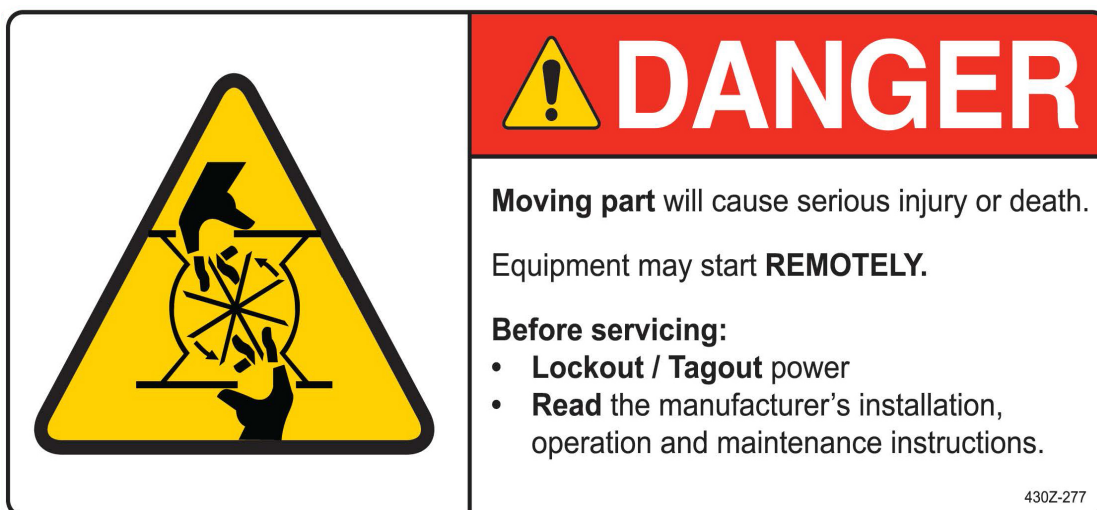
In most applications, the Rotary Airlock Feeder will be integrated into a process, system or application where the **inlet** opening of the Feeder will be guarded by virtue of being attached to another piece of equipment (bin, hopper, etc.) However, there may be instances or situations where the **inlet** of the Rotary Airlock Feeder becomes accessible (i.e. through a clean out door or access hatch on the attached equipment) to a user. As noted above, due to the vast number of potential applications in which a Rotary Airlock Feeder may be used, it is neither feasible nor practical for Meyer to design or supply an inlet flange guard that will work for every possible application or process. It is the owner/operator's responsibility to ensure that the Rotary Airlock Feeder is safely integrated for the particular process and application for which it was purchased and that the inlet opening remains guarded at all times during operation.

## Training

The owner also bears the responsibility to ensure that personnel who may be working around a rotary valve are properly trained. Personnel **must** be aware that: (1) anything coming into contact with the moving vanes **will** be cut off/amputated; (2) rotary valves can start without warning; (3) before working on, cleaning, repairing or maintaining a rotary valve, Lockout/Tagout procedures **must** be strictly followed; and (4) rotary valves **must not** be operated without guarding in place. Before working around a rotary valve, personnel **must** read the Operator's Manual.

## SAFETY LABELING

The safety labels shown are affixed to your Rotary Airlock Feeder. A Safety Supplement Data sheet and an auxiliary "DANGER" label have been packed with your equipment at the time of shipment. Because Rotary Airlock Feeders can be used in a vast number of applications and in a number of configurations, it is possible that the safety labels affixed to the equipment may be obscured when installed and integrated into a customer's particular application or process. Thus, Meyer supplies the auxiliary "DANGER" label for the installer's or plant manager's discretionary placement to best ensure that anyone approaching the unit is alerted to the hazards presented by rotating parts and how to safely interact with the equipment. Additional Safety Supplements and "DANGER" labels are available at no charge; contact Meyer (800-963-4458), [sales@wmmeyer.com](mailto:sales@wmmeyer.com).



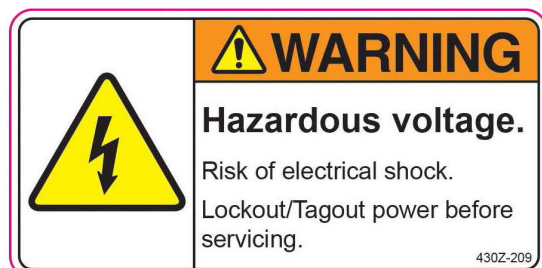
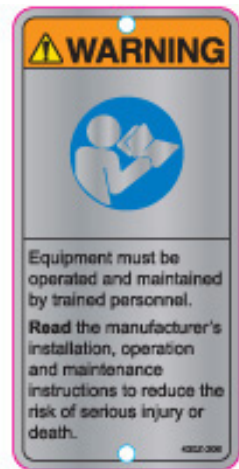


The following recommendations are offered to assist in the placement of the safety labels. The objective is for anyone who approaches the Rotary Airlock Feeder sees the label alerting him or her how to avoid the hazard.

- Place labels in locations that all personnel operating and maintaining the Rotary Airlock Feeder or any other people that may have access to the equipment will readily see as they are preparing to work on the equipment and/or as they approach it.
- Due to the location of the Rotary Airlock Feeder, labels may have to be located near it, for example; on nearby structural steel or adjacent equipment. This location needs to be the point of access where the label can be easily seen and the hazard is clearly associated with the Rotary Airlock Feeder.

If you have received a unit without labels or if labels fall off or are damaged, contact Meyer immediately (800-963-4458) to obtain replacements at no charge, prior to installation, use or maintenance.

Please provide unit operating temperature at time of request.



## INFORMATION FOR SAFETY AND SERVICE

Because of the wide variety of material handling systems for which a Rotary Airlock Feeder must be tailored, many considerations determine the proper size, design, materials of construction, operating speed, type of driver, etc. A description of every Meyer Rotary Airlock Feeder is kept on file at the factory for a substantial period of time. These specifications can be referenced by supplying the serial number to your local Meyer Representative. If you have any safety or equipment related questions, we encourage you to contact the Meyer factory based on the cover contact information.

The serial number is located on a metal identification label permanently affixed to every Rotary Airlock Feeder before it leaves the factory. To aid us in providing you with service, application assistance and help with spare part requirements, please record the following:

Type/Size \_\_\_\_\_

Serial Number \_\_\_\_\_

Date of Installation \_\_\_\_\_



## SECTION II APPLICATION & MODELS

### A. Application

Meyer Rotary Airlock Feeders (also called Rotary Valves) are used in pneumatic conveying systems, dust control equipment, and as volumetric feed-controls to maintain an even flow of material through processing systems.

The rotary airlock is used to separate two vessels or areas of differing pressure while allowing the transfer of material. Rotary Airlock Feeders are also widely used as volumetric feeders for metering materials at precise flow rates from bins, hoppers or silos into conveying or processing systems.

Rotary Airlock Feeders have wide application in industry wherever dry free-flowing powders, granules, crystals, or pellets are used. Typical materials include: cement, sugar, minerals, grains, plastics, dust, fly ash, flour, gypsum, lime, coffee, cereals, pharmaceuticals, etc.

### B. Models

The HDX, UDV and DDV differ mainly in their drive configuration and the number of options available. The HDX and UDV use a chain drive while the DDV has a direct drive mounted on one head plate.

The DDV is provided with a standard 22 RPM direct drive with motor and either a beveled edges or urethane seal strips.

The UDV comes standard in 15, 20 and 25 RPM chain driven rotor speeds. The chain drive includes a motor, reducer and drive guard/base. Rotors are available with beveled edges or urethane seal strips.

The standard speed for the HDX is 15 or 20 RPM, plus a wide variety of drive and special speed configurations. Many coatings, housings and rotor options are available to meet the most demanding applications.



## SECTION III INSTALLATION

### A. RECEIVING AND INSPECTION

Upon receipt of equipment and material from Meyer, the following basic steps should be taken. The equipment is heavy and proper handling procedures should be used (See the “**Heavy - handily safely**” information in the “IMPORTANT SAFETY INFORMATION” section).

1. Use the packing list to determine that all the items shipped have been received. Your equipment was carefully crated for safe shipment when given to the carrier. If items are missing, contact Meyer, per the contact information at the end of this section.
2. Check for damage. Damage in transit is the responsibility of the carrier. Title to your equipment and all other items in the shipment were transferred to you as soon as the shipment left our dock, thus it is your responsibility to handle any claim. In the event damage has occurred:
  - a. Be sure to have the driver sign a copy of the freight bill with a notation about any damage and contact their office before the driver leaves your premises.
  - b. Contact the carrier to arrange for an independent inspector to come out to inspect the damage and to prepare the inspection report. It is imperative that this inspection is done before you start to unpack or use any of the equipment.
  - c. If there are any visible problems with your unit or any other items in the shipment, you or the driver must note in detail the damage on all copies of the freight bill before signing for the shipment. Then immediately call Meyer.
  - d. Photographic records of the damage are helpful to communicate the extent and type of damage as well as provide a clear record.
  - e. In addition to inspecting damaged equipment you should also check the condition of the safety labels to ensure they have not been damaged or come off. If they have, contact the factory for replacements prior to installation.
  - f. Concealed Damage: If Equipment or goods are discovered to be damaged in shipment at a later date, contact the carrier and Meyer, immediately.
  - g. In all cases of damage in transit, contact Meyer, for assistance in determining whether or not this damage may, in any way, affect safety or proper operation. Please contact us so that we can assist you with replacement parts or with any questions about the claim process, using the following contact information:

Wm. W. Meyer & Sons, Inc.  
1700 Franklin Blvd  
Libertyville, IL 60048

800-963-4458 or 847-918-0111  
sales@wmmeyer.com

### B. STORING THE ROTARY VALVE

*Short Term Storage (Up to 4 weeks)*

1. If moved to storage, the equipment should be located in a dry area, preferably inside. Outside storage will require adequate protection from the weather.



2. The inlet and outlet of the Rotary Valve should be securely covered to protect the interior while in storage. For prolonged storage an anti-rust compound should be applied to all interior surfaces. See the motor and reducer manuals for storage instructions.
3. After storage and prior to start-up, the Rotary Valve and its drive train should be inspected by qualified personnel.

#### Long Term Storage


1. Coat the interior of the valve with a rust preventative product.
2. Provide and install gasketed or sealed metal covers for inlet and outlet flanges with at least four cap screws in each flange. Keep covers on unit until ready for service.
3. Read and follow the motor, speed reducer, and other equipment manufacturer's instructions for long term storage.
4. Plug all conduit box openings on motors and switches.
5. Store off the floor in a dry, adequately ventilated, indoor area not subject to extreme temperature changes.
6. If stored for more than 6 months, turn the rotor 20 revolutions every month. Leave the rotor in a different angular position after turning.

#### Placing In Service after Long Term Storage

1. Drain and re-fill gear the speed reducer per the manufacturer's recommendation.
2. Follow the motor manufacturer's instructions for removing the motor from storage.
3. Clean the anti-rust product from the interior of valve.

### C. INSTALLATION

When installing, verify that the openings will be properly guarded and that the labels will be visible (see "HAZARD IDENTIFICATION" section).

 **DANGER** The internals of this equipment has parts that can crush and cut. Before installing the equipment ensure that Lockout/Tagout procedures have been followed. Failure to do so will lead to serious injury or death if a body part contacts a moving internal part.

1. We recommend that inlet and outlet flanges remain covered until the valve is ready to be attached to the mating equipment.
2. Prior to installing the valve and with the power disconnected, check to ensure no foreign objects have been left inside or have accidentally fallen into the valve.
3. Rotary Valves must be installed with the top and bottom flanges parallel to the mating system flanges and adequately supported to prevent distortion.
4. Ensure that the inlet and outlet flanges are permanently fastened to mating components or are permanently guarded.
5. If electrical connections are made as part of the installation, they must be done by a qualified electrician, in accordance with applicable codes and standards. Standard rotation for this equipment is clockwise as viewed from the drive end, unless otherwise stated. Rotation should only be checked after proper guarding has been completed. See "HAZARD IDENTIFICATION" for process integration and installation details. In order to check for the proper rotation, a portion of the rotor shaft will need to be observed. The safest way in which to do this is by placing a mark on the shaft between the bearing and packing gland nut. The mark must be made prior to energizing

the motor. If that is not practical, the non-drive end bearing cap can be removed so that the end of the shaft is visible. For standard clockwise rotation the non-drive end of the shaft will rotate counter clockwise. Do not touch the exposed rotor shaft. “Bump start” the motor and check for proper rotation. Replace the bearing cap after rotation has been established.



#### SECTION IV START-UP PROCEDURE

**⚠ WARNING** Prior to use, the operator must read and understand all the safety related information including all warnings and guarding instructions. Verify that all guarding is in place and area is clear of all non-essential personnel. Failure to do so could lead to serious injury or death.

1. The general appearance of the rotary airlock feeder and surrounding area should be visually inspected to determine that the unit can be operated safely and without causing any damage. Be sure all guards are in place and access to the inlet or outlet is not possible.
2. The speed reducer was filled with lubricant prior to shipping but the level should be checked before initial use.
3. Start the rotary airlock feeder and be alert for unusual noise; scapping/squealing, or vibration. If noise or vibration occurs shutdown the unit. Do not attempt to correct the problem without first contacting the factory. Doing so could void warranty coverage.
4. There is no “break-in” period with rotary airlock feeders. It is, however, recommended that it should be monitored during the initial operation and on a regular schedule with particular attention paid to the following:
  - a. Motor and Speed Reducer – monitor for excessive heat, vibration or unusual noise which may indicate a problem.
  - b. Bearings – check for excessive heat, vibration or unusual noise.
  - c. Seals – the type of seal depends on the model and options on the unit. If there is leakage around the shaft carefully tighten the packing gland nuts until the leakage stops.
  - d. Drive – the drive should run smoothly with minimal vibration. If an issue exists contact the factory for an application review.

In general, observe the equipment for any unusual vibration, heat, or noise. Check the flange and purge connection fasteners for tightness and leaks. Any utility service piping and associated valves and gauges should also be checked. Make sure all accessories are operating properly.



## SECTION V PROPER HANDLING AND MAINTENANCE



### **DANGER**

The internals of this equipment has parts that can crush and cut. Follow Lockout/Tagout information in the “IMPORTANT SAFETY INFORMATION” section before service or maintenance. Failure to do so will lead to serious injury or death if a body part contacts a moving internal part. In addition the equipment and parts are heavy, see the “Heavy – handle safely” information in the “IMPORTANT SAFETY INFORMATION” section.

The Meyer Rotary Airlock Feeder has been manufactured from the finest materials available and to exacting standards of workmanship. Very close and precise tolerances assure the best possible fit and seal between all components. As with any quality product, it should be given proper handling and care, as outlined below:

- Never switch a rotor from one rotary valve to another without contacting the factory. Due to temperature and application considerations, not all parts are interchangeable. Some housings and rotors are “mated”.
- Use special care and handling to avoid damaging (i.e., nicking, scoring, gouging, galling, etc.) any internal surface, edge or contour of the housing, rotor or head plate. Any degradation of these machined surfaces may upset the internal clearances, cause the valve to bind and cause extensive damage.
- Rotary Airlock Feeders of cast iron construction without any special purpose surface coating (such as electroless nickel) are subject to rust and corrosion when exposed to moisture. If water is used as a cleaning agent, be sure the valve is completely dry and rotor is free to turn before returning to service.
- Sealed and pre-lubricated bearings are normally supplied with the Rotary Airlock Feeder. If the Rotary Valve components are to be submerged in a cleaning tank or similar type of bath, the bearings must first be removed from the head plate.
- Always clean and inspect one valve at a time and reassemble immediately to avoid mismatching parts.

### **LUBRICATION**

- Speed Reducer
  - o Lubrication instructions are published by the particular reducer manufacturer.
- Bearings
  - o Ball Bearing Units

Rotary Airlock Feeders with ball bearings utilize pre-lubricated, sealed, anti-friction ball bearings that do not require regreasing. Regreaseable bearings are available upon request. Super Lube<sup>®</sup>, which is NLGI #2 synthetic grease, is used at the factory when regreaseable bearings are installed. Replacement grease must be compatible with this or all the existing grease must be purged from the bearing. Regreasing is done by first removing the bearing caps and using a grease gun to pump grease into the bearings. When the new grease is forced out of the bearing seals, this indicates that the old grease is out and the bearing has the correct amount of new lubricant.

- o Spherical Bearing Units

These bearings are an open style that requires external seals and periodic regreasing. The factory's standard grease for these bearings is Super Lube® for applications below 500°F. For applications above this temperature, consult the factory for the proper lubricant to use.

- Seals/Packing Gland

UDV and DDV use a split packing gland nut design which allows the packing gland nuts to be removed from the valve for easier servicing of the packing. UDV and DDV feeders are supplied with graphite impregnated aramid fiber within the packing gland housing. Special UDV valves may be supplied with higher temperature seal materials, if the application requires.

Standard HDX Feeders are supplied with graphite impregnated aramid fiber packing within the packing gland housing. Maintenance is limited to tightening the packing gland hex nuts or replacement of the packing rings in each head plate, when wear/leakage becomes excessive. Simply loosen the packing gland retainer hex nuts and slide the packing gland nut away from the housing to remove the packing. Optional Teflon Chevron, U-Cup, or braided Teflon shaft seals are also available. The aramid fiber packing and braided Teflon packing is of the split ring type. Replacement of Teflon Chevron and U-Cup packing requires the removal of the head plates. High temperature split ring packing is used in applications above 500°F.

Gas Purge or Grease Purge seals are available as an option on HDX Feeders. When gas (most commonly air) purge is selected, a lantern ring is supplied inboard of the packing rings. Compressed gas is introduced to the lantern ring through a drilled hole in the head plate. Optional filter/regulator/gauge and solenoid valve are available to control the air/gas pressure and flow into the airlock. The air/gas should be turned on, for a minimum of 5 minutes, before the valve is started and turned off, a minimum of 5 minutes, after the valve is stopped to insure that dust does not enter the lantern ring. If the rotary valve is on a multi pick up pressure conveying system, the gas purge should be left on even when the unit is not feeding the system. It can be shut off after the conveying system is shut down. The required gas flow is application dependent with the pressure typically 10-15 PSIG above the valve operating pressure.

When grease purge is selected, a lantern ring is sandwiched between two rows of packing. Grease is introduced to the lantern ring through a drilled hole in the head plate. The packing is pre-greased with Super Lube® at the factory, use it or an equivalent NLGI #2 as needed. Higher temperature-rated greases may be required when the product temperature exceeds 275°F.

- Chain

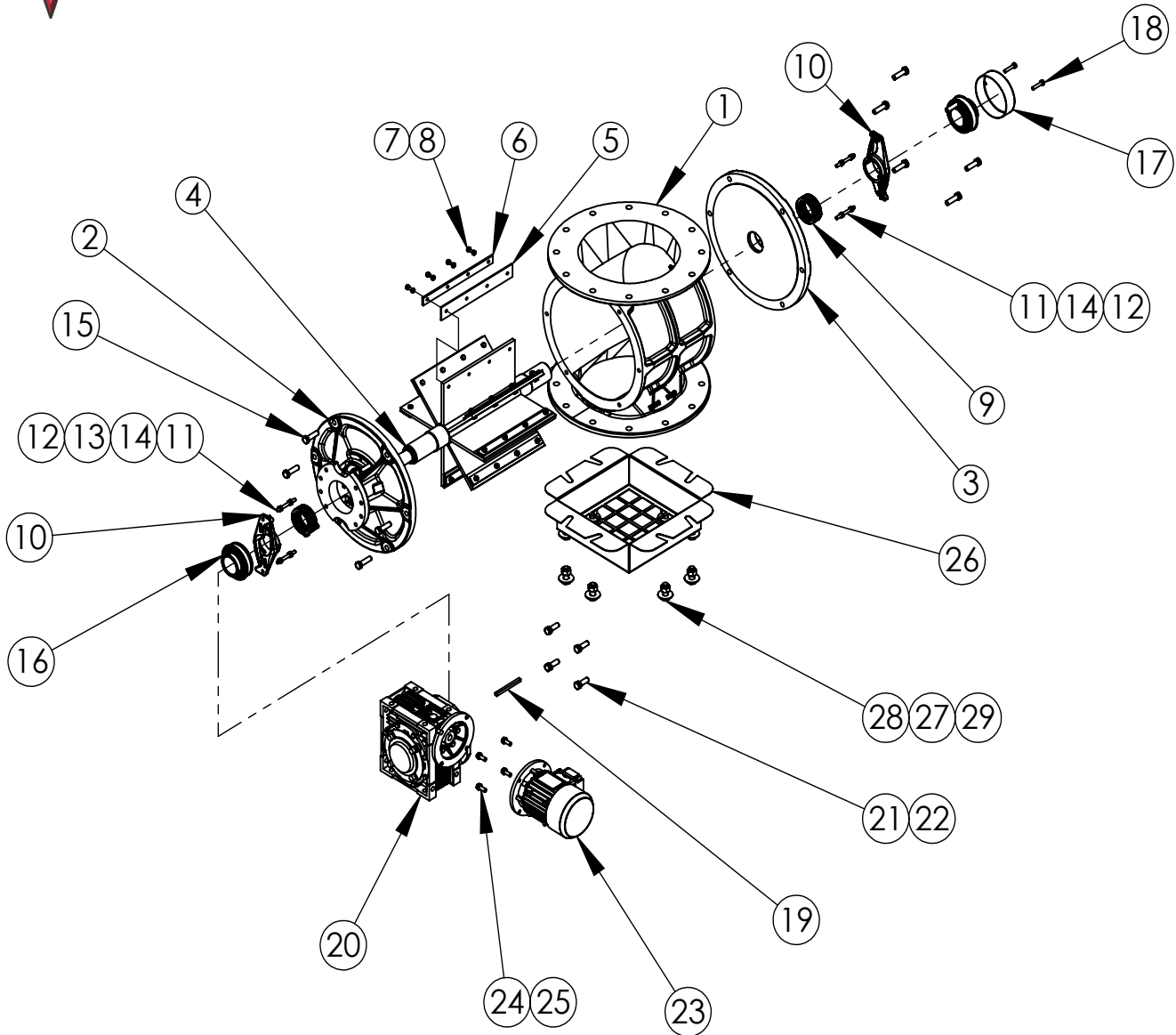
The roller chain furnished with standard feeders is pre-lubricated at the factory. The chain should be oiled periodically with a brush or spout can every 50 hours of operation according to the chain manufacturer. This interval can vary depending on the environment. In our experience, due to the low speed application, the chain can be lubricated when the reducer oil is changed. A good grade of non-detergent petroleum based oil should be used with the viscosity shown below:

Ambient Temperature (Deg F)	Lubricant
20-40	SAE 20
40-100	SAE 30
100-120	SAE 40
120-140	SAE 50

SEAL STRIP REPLACEMENT (Instructions are available upon request.)



**SECTION VI**  
**PARTS LIST & DRAWING**  
 DDV ROTARY AIRLOCK



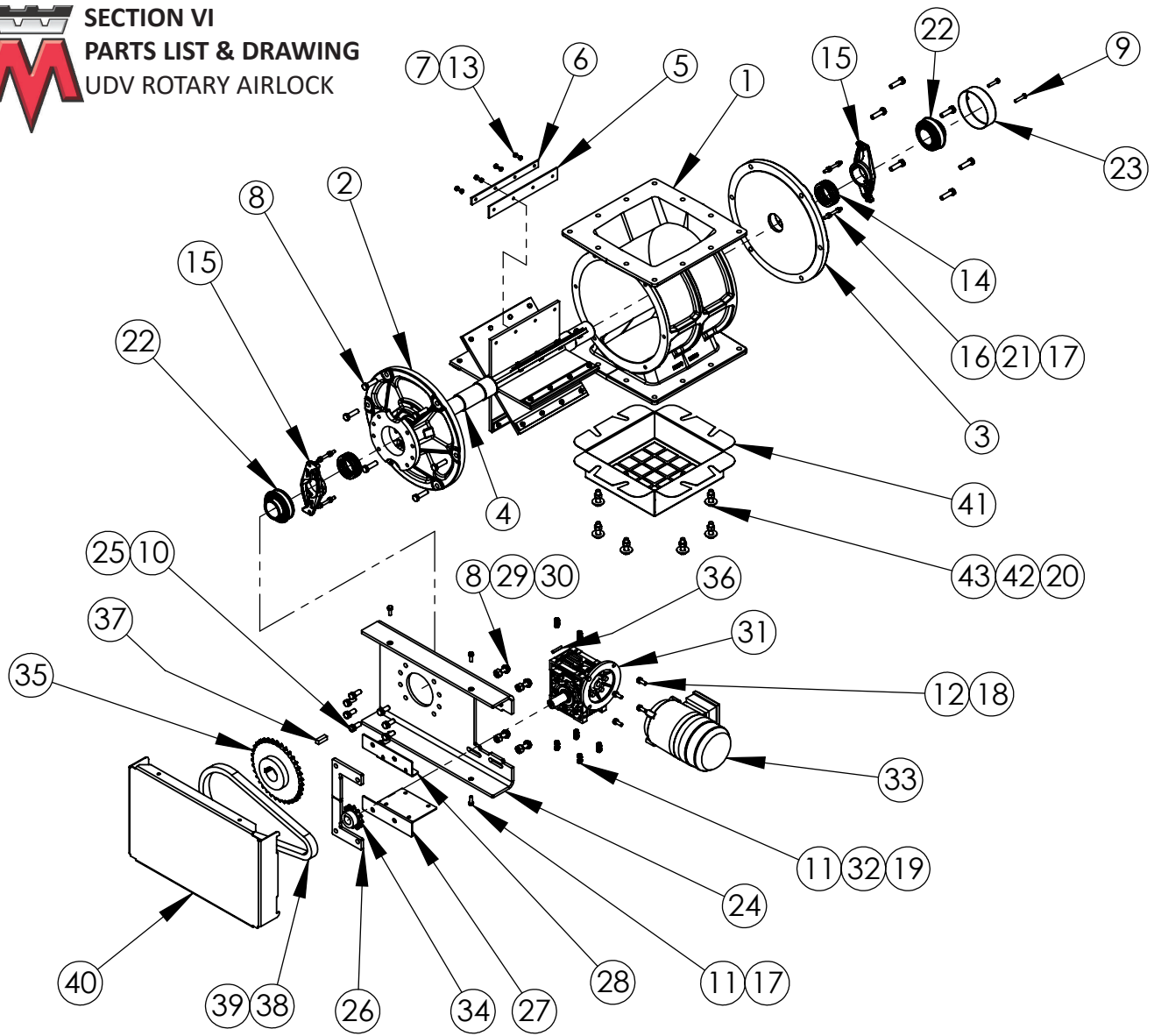
ITEM	Description	Qty.	ITEM	Description	Qty.
1	HOUSING	1	16	BEARING	2
2	DRIVE HEADPLATE	1	17	BLIND END BEARING CAP	1
3	BLIND HEADPLATE	1	18	HEX HEAD BOLT	**
4	ROTOR	1	19	KEYSTOCK	1
5	SEALSTRIP	***	20	GEARBOX	1
6	SEALSTRIP HOLDER	***	21	HEX HEAD BOLT	**
7	SEALSTRIP HEAD BOLT	***	22	NORD LOCK WASHER	**
8	SEALSTRIP HEX LOCKNUT	***	23	MOTOR	1
9	PACKING RING	6	24	HEX HEAD BOLT	**
10	PACKING NUT	4	25	LOCK WASHER	**
11	STUD	4	26	FLANGE GUARD	1
12	LOCK WASHER	**	27	FLAT WASHER	**
13	HEX NUT	**	28	HEX BOLT	**
14	CENTERLOCK HEX LOCKNUT	**	29	HEX NUT	**
15	HEX HEAD CAP SCREW	**			

\*\* AS REQUIRED  
 \*\*\* OPTIONAL





**SECTION VI**  
**PARTS LIST & DRAWING**  
**UDV ROTARY AIRLOCK**

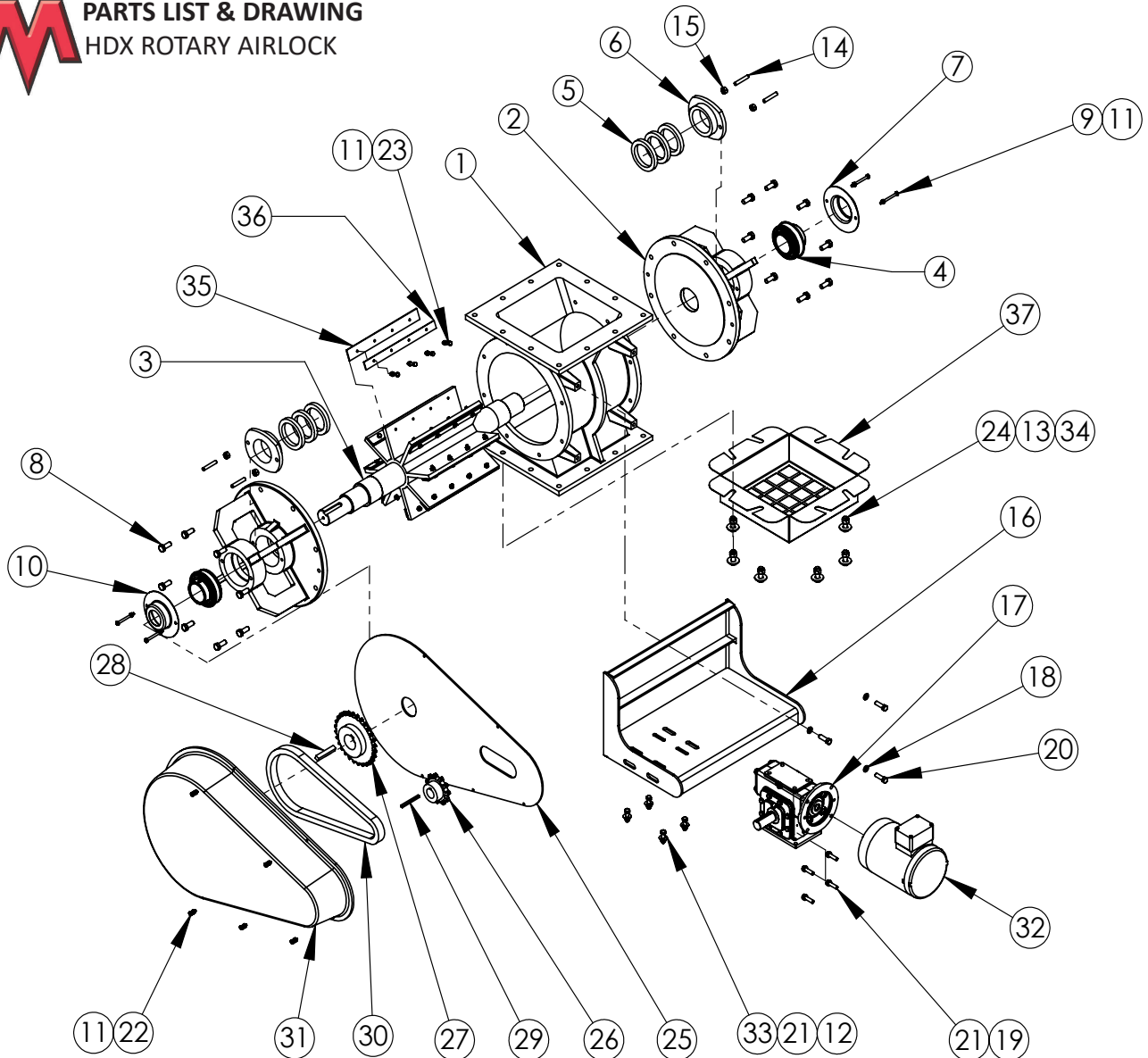


ITEM	Description	QTY.	ITEM	Description	QTY.
1	HOUSING	1	23	BEARING CAP	1
2	DRIVE HEADPLATE	1	24	DRIVE BASE	1
3	BLIND HEADPLATE	1	25	DRIVEBASE TO HEADPLATE WASHER	**
4	ROTOR	1	26	GEARBOX SPACER	2
5	SEALSTRIP	***	27	GEARBOX BOTTOM BRACKET	1
6	SEALSTRIP HOLDER	***	28	GEARBOX TOP BRACKET	1
7	SEALSTRIP BOLT	***	29	DRIVEBASE LOCKWASHER	4
8	CAPSCREW	**	30	DRIVEBASE NUT	4
9	BEARING CAP BOLT	2	31	GEARBOX	1
10	DRIVEBASE TO HEADPLATE BOLT	8	32	GEARBOX WASHER	**
11	DRIVEBASE AND MOTOR BOLT	**	33	MOTOR	1
12	GEARBOX TO MOTOR BOLT	4	34	DRIVEN SPROCKET	1
13	SEALSTRIP NUT	***	35	DRIVE SPROCKET	1
14	PACKING RING	6	36	DRIVEN KEY	1
15	PACKING NUT	4	37	DRIVE KEY	1
16	PACKING NUT STUD	4	38	CHAIN	**
17	PACKING NUT AND DRIVEBASE WASHER	**	39	CHAIN MASTER LINK	1
18	GEARBOX TO MOTOR WASHER	**	40	DRIVE GUARD	1
19	GEARBOX NUT	**	41	FLANGE GUARD	1
20	DISCHARGE GUARD NUT	**	42	FLANGE GUARD WASHER	**
21	PACKING NUT LOCKNUT	4	43	FLANGE GUARD BOLT	**
22	BEARING	2			

\*\* AS REQUIRED  
 \*\*\* OPTIONAL



**SECTION VI**  
**PARTS LIST & DRAWING**  
**HDX ROTARY AIRLOCK**



ITEM	Description	Qty.	ITEM	Description	Qty.
1	HOUSING	1	20	HEX BOLT	**
2	HEADPLATE	2	21	HEX BOLT	**
3	ROTOR	1	22	FASTENER	**
4*	BEARING	2	23	HEX BOLT	**
5*	PACKING	**	24	HEX BOLT	**
6	PACKING GLAND NUT	2	25	DRIVE GUARD BACKPLATE	1
7	BLIND END BEARING CAP	1	26	DRIVE SPROCKET	1
8	HEX HEAD BOLT	**	27	DRIVEN SPROCKET	1
9	HEX HEAD BOLT	**	28	DRIVEN SPROCKET KEY	1
10	BEARING CAP	1	29	DRIVE SPROCKET KEY	1
11	HEX NUT	**	30	CHAIN	**
12	HEX NUT	**	31	DRIVE GUARD	1
13	HEX NUT	**	32	MOTOR	1
14	PACKING GLAND STUD	4	33	FLAT WASHER	**
15	HEAVY HEX NUT	4	34	FLAT WASHER	**
16	MOTOR BASE	1	35*	SEAL STRIP	***
17	SPEED REDUCER	1	36*	SEAL STRIP HOLDER	***
18	LOCK WASHER	**	37	FLANGE GUARD	1
19	LOCK WASHER	**			

\* RECOMMENDED SPARE PARTS  
 \*\* AS REQUIRED  
 \*\*\* OPTIONAL



# SAFETY SUPPLEMENT

Effective 8/1/2019

## ATTENTION INSTALLERS/OPERATORS FOR YOUR PROTECTION:

1. Read and understand the Operating Manual accompanying this equipment before performing any work.
2. Additional safety label kits available from Meyer upon request at no charge. This is part of our effort to ensure this equipment is installed, operated and maintained in the safest possible manner. Affix these labels in locations to achieve maximum visibility and thereby alert any personnel that may ever be on-site that a potential for injury could occur.
3. Under no circumstances should this equipment be installed or operated in a manner that permits access to the interior of the valve.
4. Inlet and Outlet Flanges must always be permanently fastened to mating system components.
5. In the event that the inlet or outlet is ever exposed, proper guarding to prevent access to the valve interior must be installed immediately and prior to start-up.

Every unit is shipped with an attached discharge flange guard. **DO NOT OPERATE** equipment with unguarded inlet or outlet.

6. Never operate the valve with the drive chain guard or drive coupling guard removed or loose.
7. **Always follow LOCKOUT-TAGOUT procedure** before performing any work.
8. Always keep loose clothing, hands, feet or any parts of your body, tools and/or any foreign objects away from all moving equipment and away from any potential pinch point.
9. Never remove any access doors (inspection port covers) above, below, or on the valve itself without first locking out power.
10. Consult your plant safety director, system designer, installation manager or the Meyer factory if you have any questions regarding the proper installation, operation and maintenance of this equipment.

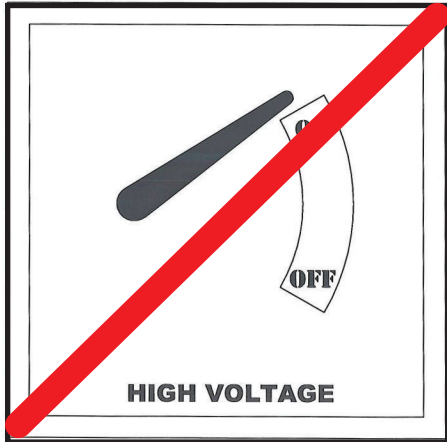
Wm. W. Meyer & Sons, Inc.

1700 Franklin Blvd • Libertyville, IL 60048 • Phones: 800-963-4458, 847-918-0111 • Fax: 847-918-8183

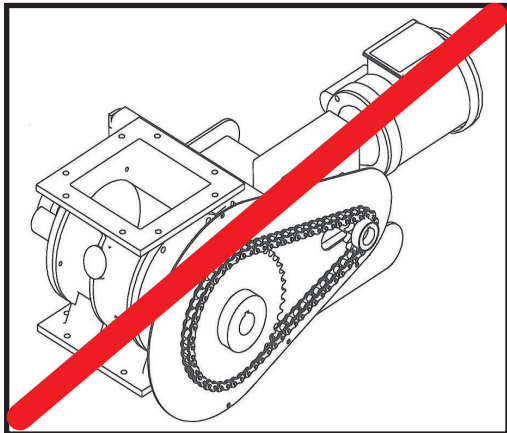
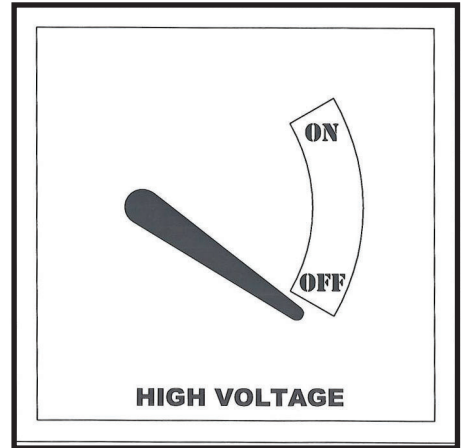
Website: <http://www.meyerindustrial.com>

File # 295-J-006

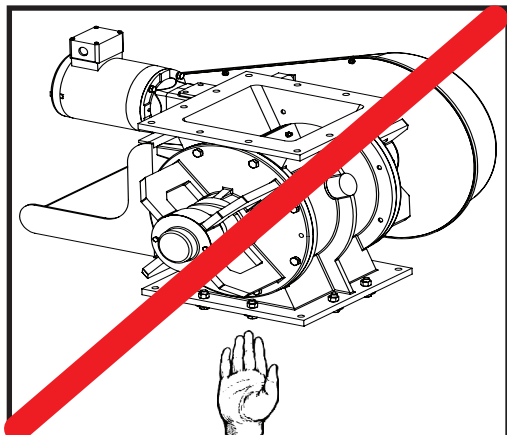
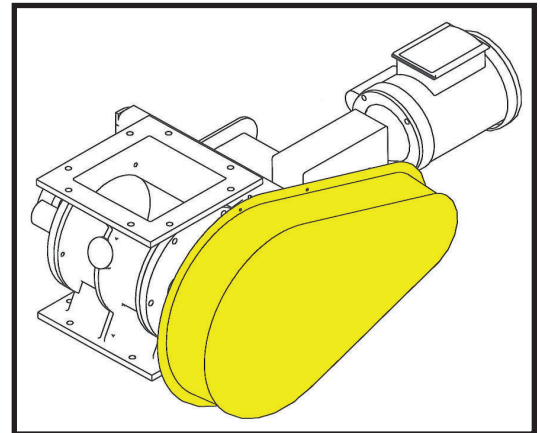
# ROTARY AIRLOCK FEEDER/VALVE SAFETY PRECAUTIONS



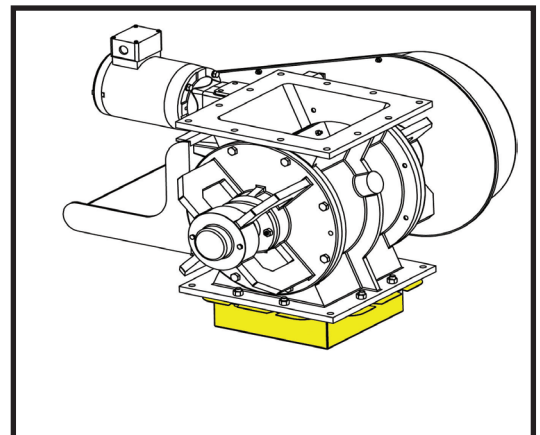
ALWAYS DISCONNECT  
POWER WHEN  
WORKING ON THE  
VALVE. FOLLOW  
**LOCKOUT-TAGOUT**  
PROCEDURE.



NEVER OPERATE  
VALVE WITH THE  
DRIVE CHAIN  
GUARD  
REMOVED



DO NOT OPERATE  
VALVE WITH  
UNGUARDED INLET  
OR OUTLET. A FLANGE  
GUARD IS SHIPPED  
WITH THE VALVE.



## SAFETY LABELS

Locate all of the safety labels on your equipment and know their meaning before operating your Rotary Airlock Feeder.

**! DANGER**



**Moving part** will cause serious injury or death.  
Equipment may start **REMOTELY**.

**Before servicing:**

- Lockout/Tagout power.
- Read the manufacturer's installation, operation and maintenance instructions.

430Z-201

**! WARNING**



**Equipment may be under pressure.**  
Pressurized gas and material could cause serious injury or death.  
**Lockout/Tagout** power and **relieve** pressure before servicing.

430Z-205


**! WARNING**



**Hot Surface.**  
**Do NOT touch.**

430Z-204

**! WARNING**



Equipment must be operated and maintained by trained personnel.  
**Read** the manufacturer's installation, operation and maintenance instructions to reduce the risk of serious injury or death.

430Z-206

Never Operate with Unguarded Inlet/Outlet.



**DANGER**  
XXXXXXXXXXXXXX

430Z-144A

Never Operate with Unguarded Inlet/Outlet.



**DANGER**  
XXXXXXXXXXXXXX

430Z-144B


**! WARNING**



**Moving parts can crush and cut.**  
Never operate with guard removed.  
Lockout/Tagout power before servicing.

430Z-202B

**! WARNING**



**Hazardous voltage.**  
Risk of electrical shock.  
Lockout/Tagout power before servicing.

430Z-209

NOTE: Contact Wm. W. Meyer & Sons, Inc. at 800-963-4458 for free replacement safety label kit.

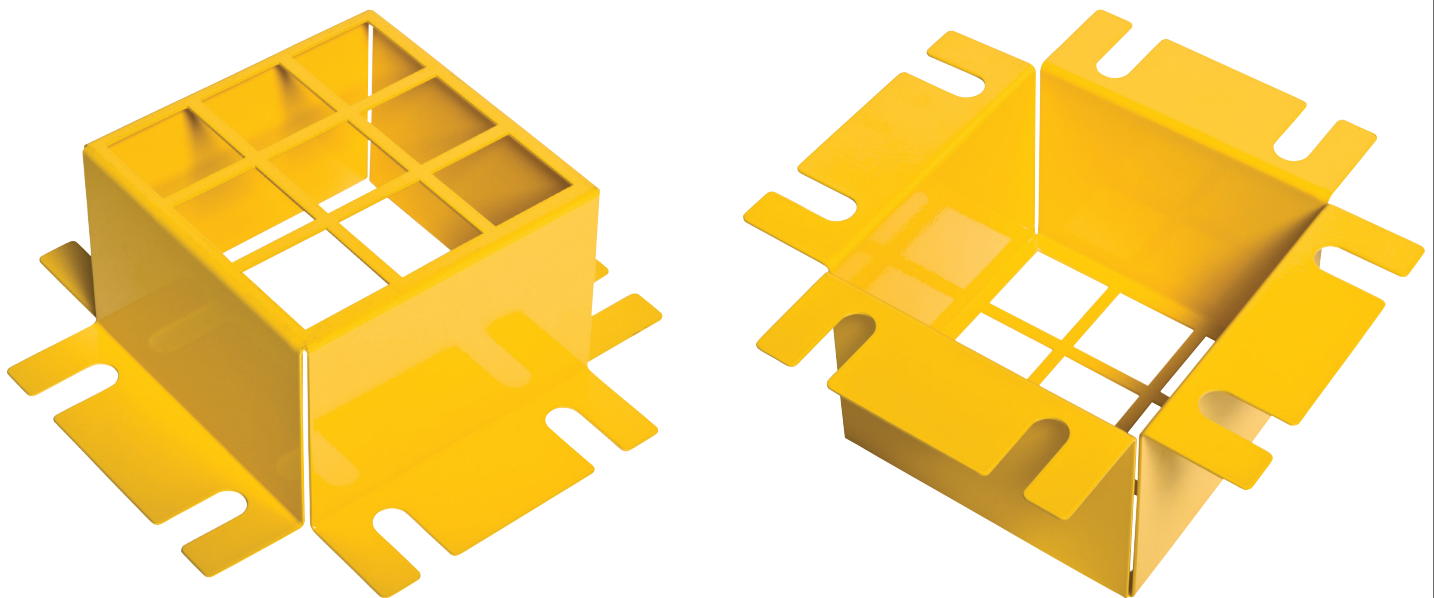


**DANGER**

**STOP**

**DANGER**

**NEVER OPERATE EQUIPMENT WITH UNGUARDED  
INLET OR OUTLET**



FLANGE GUARD

Wm. W. Meyer & Sons, Inc., Libertyville, IL

**800-963-4458**

[www.meyerindustrial.com](http://www.meyerindustrial.com)