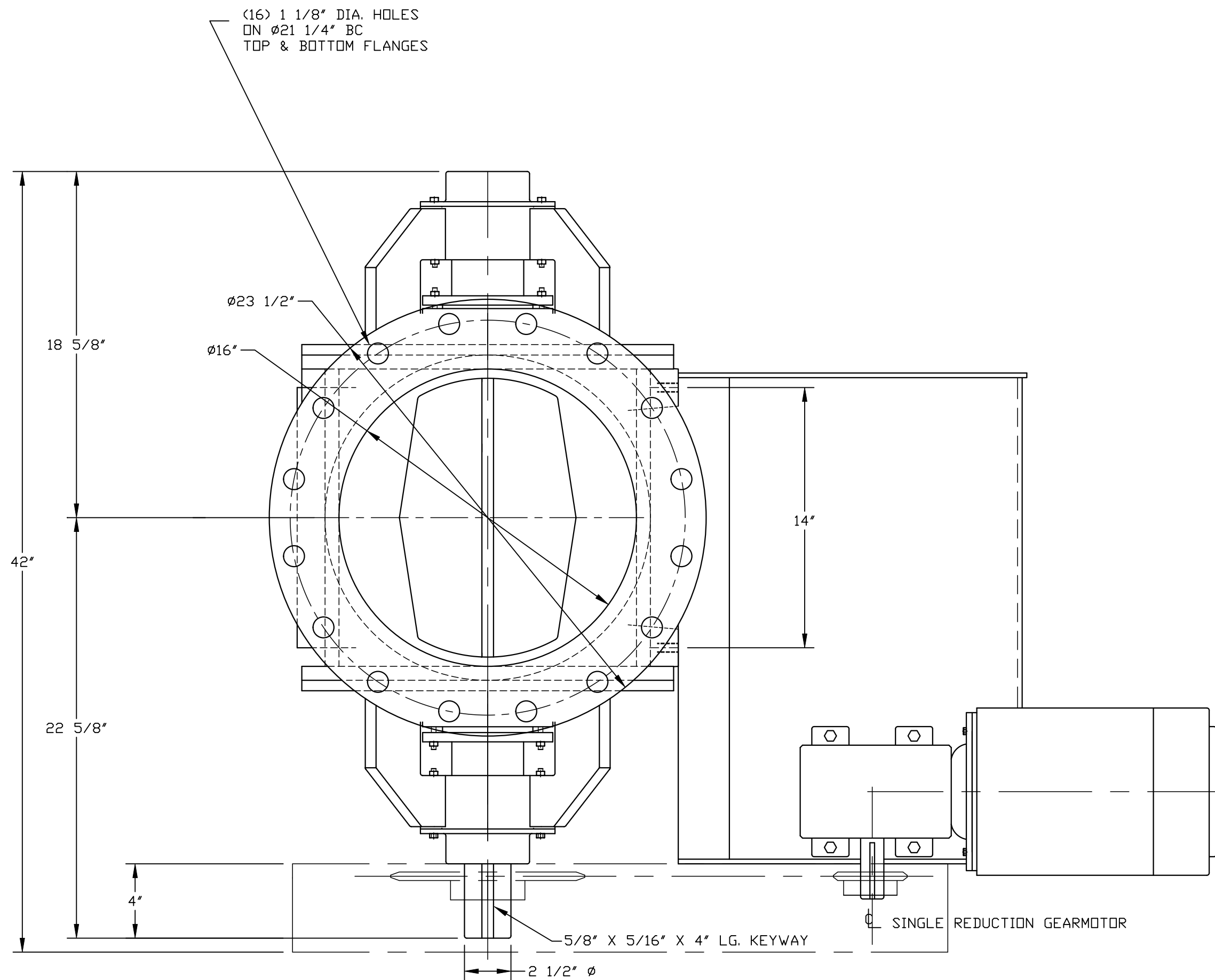


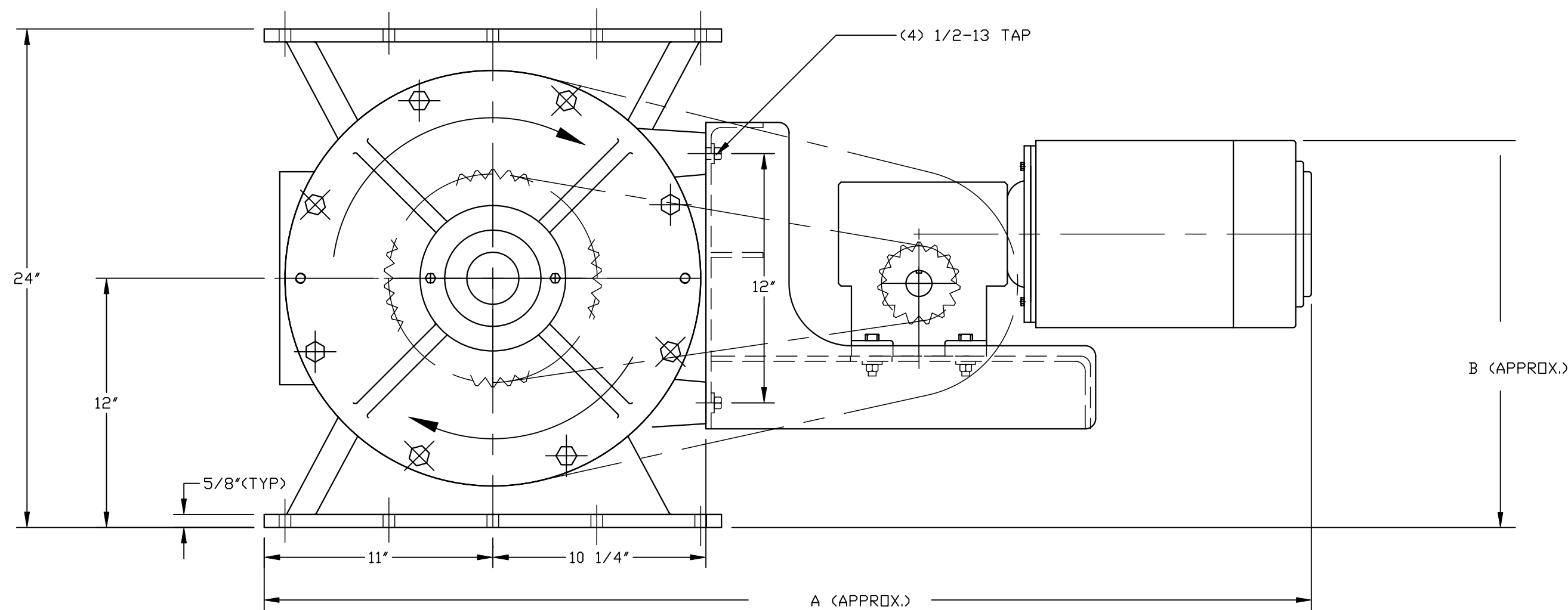
CAPACITIES IN CUBIC FEET PER MINUTE							
SIZE	ROTOR	CFR	5 RPM	10 RPM	15 RPM	20 RPM	25 RPM
16X16	6V	1.62	8.10	16.20	24.30	32.40	40.50
	8V	1.55	7.75	15.50	23.25	31.00	38.75

DATA FOR NORMAL SERVICE APPLICATIONS			
MOTOR HP	FEEDER RPM	A	B
3/4 TEFC	5 THRU 6	-	-
1 TEFC	7 THRU 9	43 13/16	17 3/4
1 1/2 TEFC	10 THRU 14	46 5/8	17 3/4
2 TEFC	15 THRU 22	46 5/8	17 3/4
3 TEFC	23 THRU 35	50	19 3/8

DATA FOR SEVERE SERVICE APPLICATIONS			
MOTOR HP	FEEDER RPM	A	B
1 1/2 TEFC	7 THRU 9	49 3/8	20 1/8
2 TEFC	10 THRU 14	49 3/8	20 1/8
3 TEFC	15 THRU 22	52 3/4	21 3/8



NOTES:
 1) ALL MOTORS: 3-60-230/460
 2) INFORMATION IS BASED UPON CATALOG DATA. THIS INFORMATION MUST BE USED IN CONJUNCTION WITH, AND NOT IN SUBSTITUTION FOR, THE APPLICABLE PRODUCT CATALOG WHICH CONTAINS IMPORTANT PRECAUTIONS AND OTHER PERTINENT INFORMATION



B	3-5-14	REVISED TITLE BLOCK	DRP
A	10-20-04	UPDATED MODEL NAME	SA
REVISIONS			
WM. W. MEYER & SONS, INC. LIBERTYVILLE, ILLINOIS			
16 X 16 HDX RD FLANGE FEEDER ASSEMBLY WITH TYPICAL RECOMMENDED GEARMOTOR			
OUR S.D. NO.		REF. S.D. NO.	
DRAWN	LFM	DATE	05-03-99
APPROVED	MRD	SCALE	3/16"
		DRAWING NUMBER	
		430L-482	

430L-463