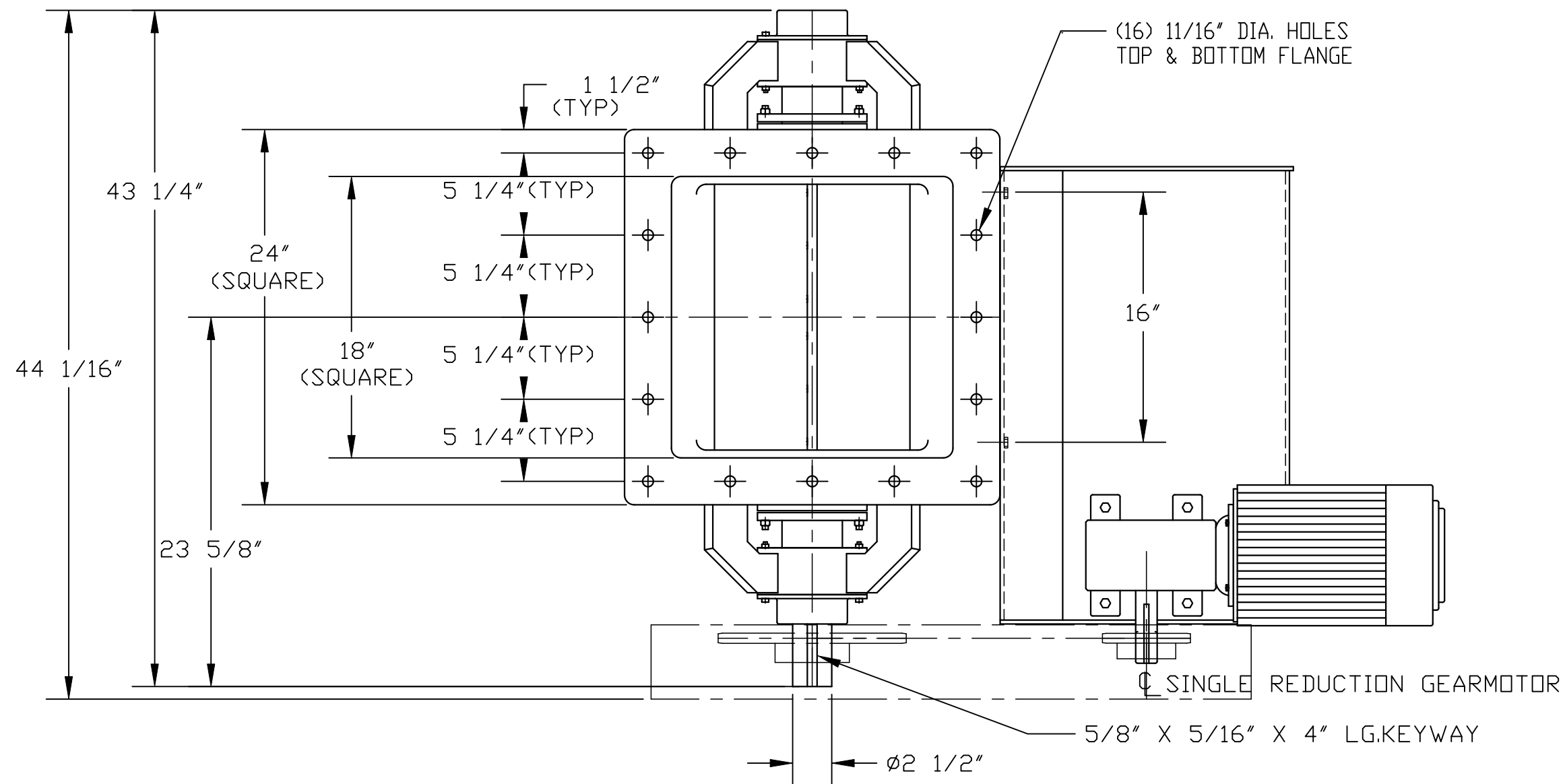


CAPACITIES IN CUBIC FEET PER MINUTE							
SIZE	ROTOR	CFR	5 RPM	10 RPM	15 RPM	20 RPM	25 RPM
18X18	6V	2.29	11.45	22.90	34.35	45.80	57.25
	8V	2.20	11.00	22.00	33.00	44.00	55.00

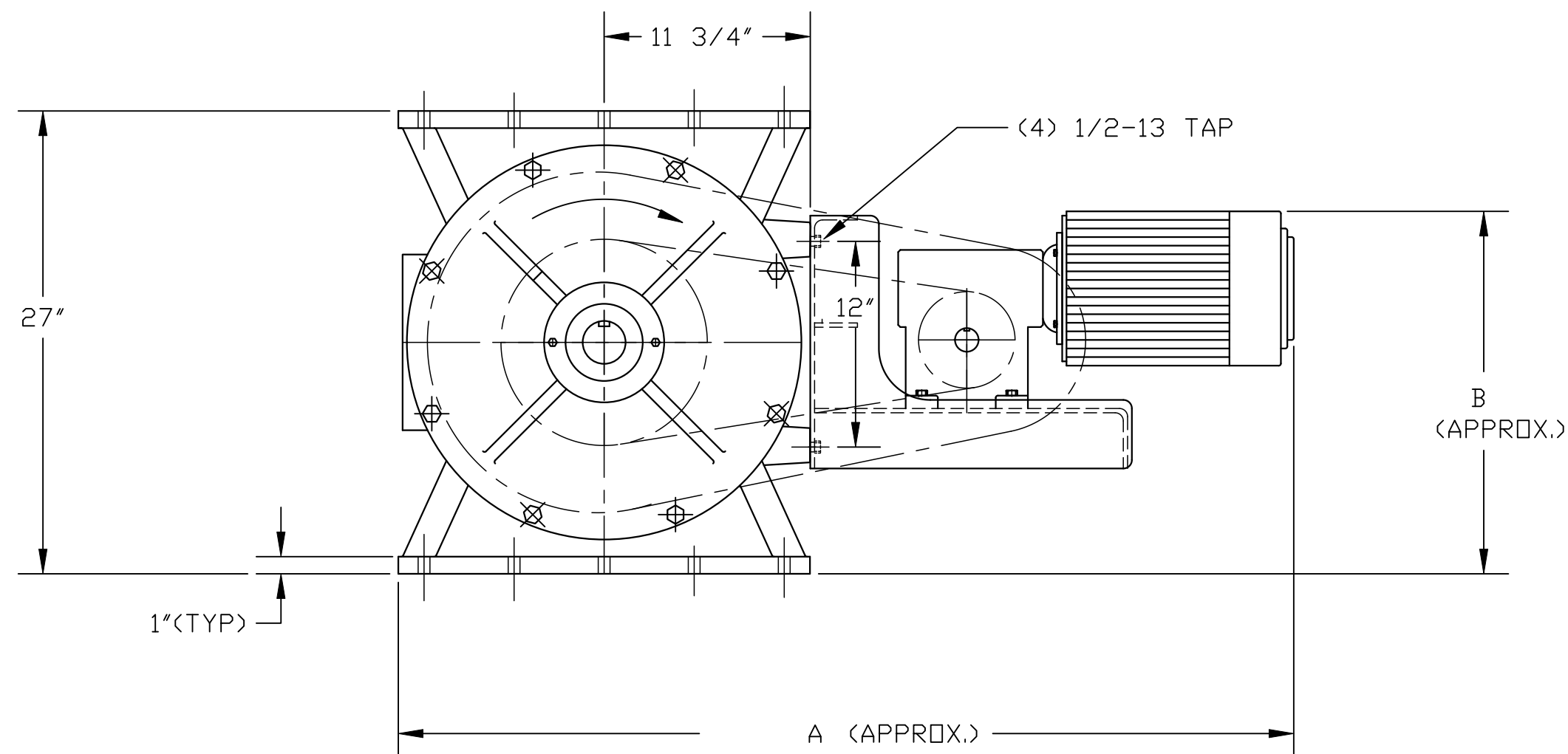
DATA FOR NORMAL SERVICE APPLICATIONS			
MOTOR HP	FEEDER RPM	A	B
1 1/2 TEFC	7 THRU 9	51 7/8	21 5/8
2 TEFC	10 THRU 14	51 7/8	21 5/8
3 TEFC	15 THRU 22	55 1/4	22 7/8

DATA FOR SEVERE SERVICE APPLICATIONS			
MOTOR HP	FEEDER RPM	A	B
2 TEFC	7 THRU 8	53	23 1/8
3 TEFC	9 THRU 13	56 5/16	24
5 TEFC	14 THRU 22	56 5/16	24



NOTES:

- 1) ALL MOTORS: 3-60-230/460
- 2) INFORMATION IS BASED UPON CATALOG DATA. THIS INFORMATION MUST BE USED IN CONJUNCTION WITH, AND NOT IN SUBSTITUTION FOR, THE APPLICABLE PRODUCT CATALOG WHICH CONTAINS IMPORTANT PRECAUTIONS AND OTHER PERTINENT INFORMATION



REV	DATE	DESCRIPTION	BY
C	3-7-14	REVISED TITLE BLOCK	DRP
B	10-20-04	UPDATED MODEL NAME	SA
A	04-23-99	REDRAWN ON CAD	LM

REVISIONS

**WM. W. MEYER & SONS, INC.**  
LIBERTYVILLE, ILLINOIS

18X18 HDX SQ FLANGE FEEDER ASSEMBLY  
W/TYPICAL RECOMMENDED GEARMOTORS

OUR S.D. NO. REF. S.D. NO.

DRAWN TAD DATE 10-25-88 DRAWING NUMBER

APPROVED CVJ SCALE 1/8 430M-296

430M-421