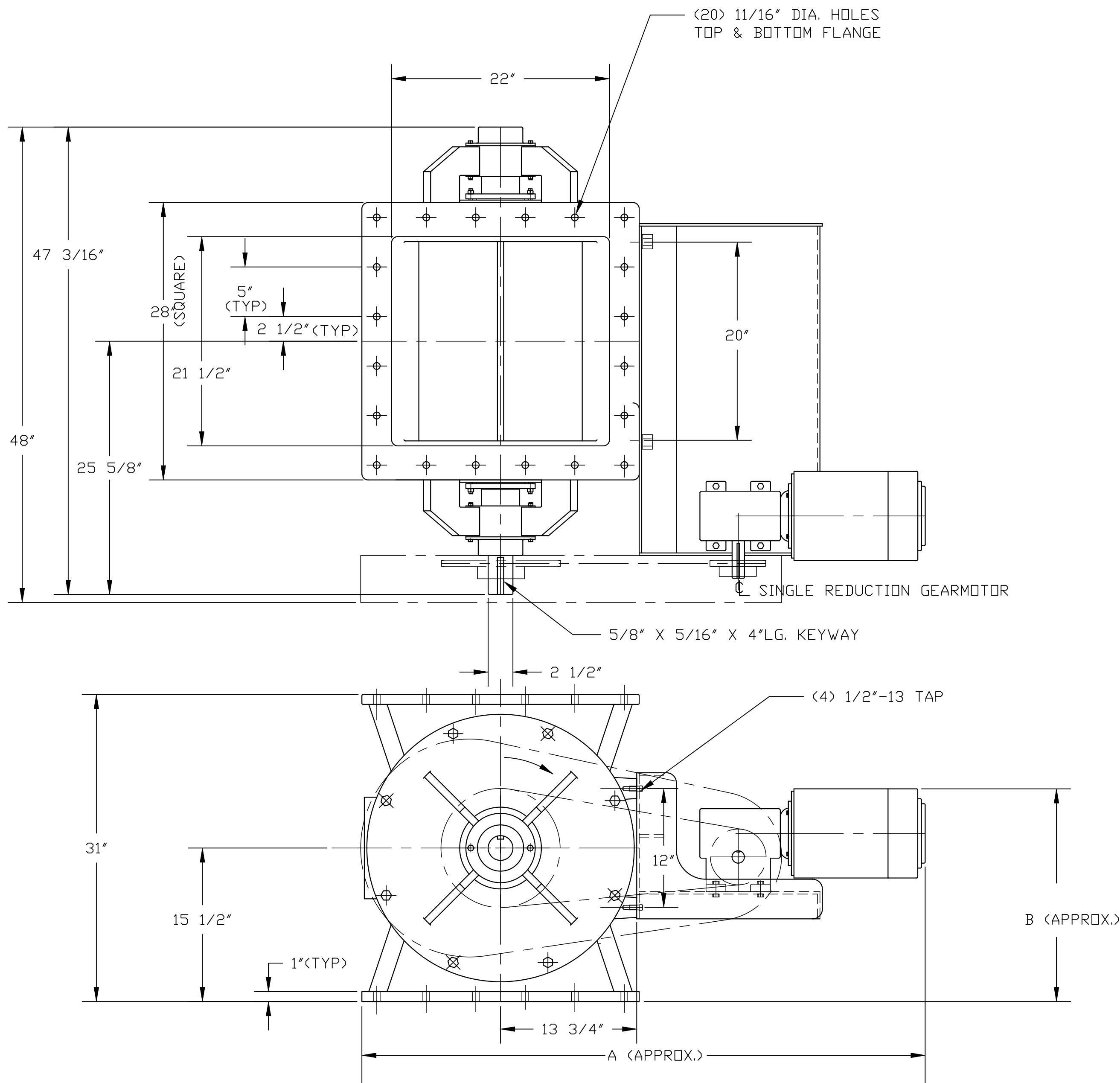


CAPACITIES IN CUBIC FEET PER MINUTE						
SIZE	ROTOR	CFR	5 RPM	10 RPM	15 RPM	20 RPM
22X22	6V	4.34	21.70	43.40	65.10	86.80
	8V	4.20	21.00	42.00	63.00	84.00

DATA FOR NORMAL SERVICE APPLICATIONS			
MOTOR HP	FEEDER RPM	A	B
1 1/2 TEFC	7 THRU 9	55 7/8	23 5/8
2 TEFC	10 THRU 14	55 7/8	23 5/8
3 TEFC	15 THRU 22	59 1/4	24 7/8

DATA FOR SEVERE SERVICE APPLICATIONS			
MOTOR HP	FEEDER RPM	A	B
2 TEFC	7 THRU 8	56 3/4	25 1/8
3 TEFC	9 THRU 13	60 1/16	26
5 TEFC	14 THRU 22	60 1/16	26



NOTES:
 1) ALL MOTORS: 3-60-230/460
 2) INFORMATION IS BASED UPON CATALOG DATA. THIS INFORMATION MUST BE USED IN CONJUNCTION WITH, AND NOT IN SUBSTITUTION FOR, THE APPLICABLE PRODUCT CATALOG WHICH CONTAINS IMPORTANT PRECAUTIONS AND OTHER PERTINENT INFORMATION

REV	DATE	DESCRIPTION	BY
D	8-21-15	FLG DPNG 21 1/2" X 22" WAS 22" SQ	SA
C	6-34-13	REMOVED INSPECTION PORT NOTE	DRP
B	10-20-04	UPDATED MODEL NAME	SA
A	04-23-99	REDRAWN ON CAD	LM

REVISIONS			
WM. W. MEYER & SONS, INC. LIBERTYVILLE, ILLINOIS			
22X22 HDX SQ FLANGE FEEDER ASSEMBLY WITH TYPICAL RECOMMENDED GEARMOTORS			
OUR S.D. NO.		REF. S.D. NO.	
DRAWN TAD	DATE 10-25-88	DRAWING NUMBER	
APPROVED MRD	SCALE 1/8"	430U-275	

430U-496